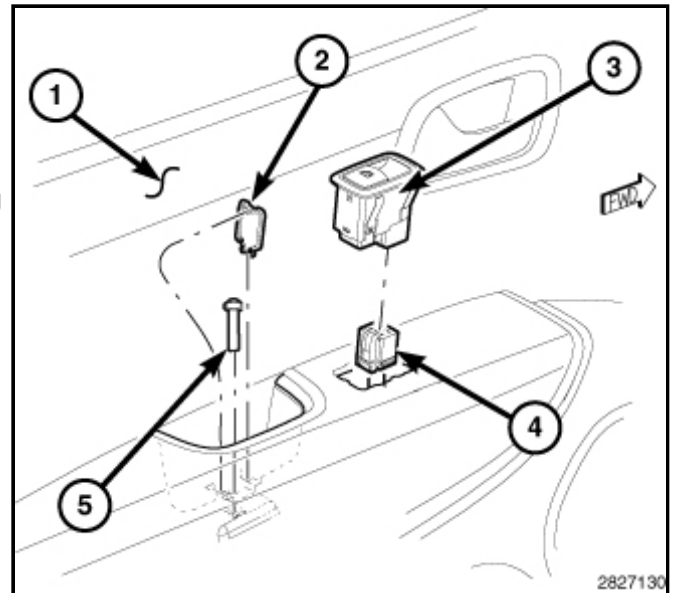
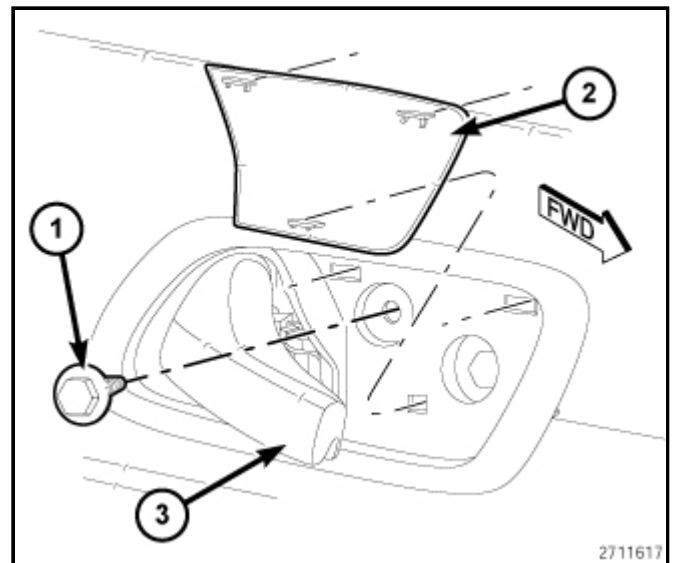


2019 Grand Cherokee - PANEL, Rear Door Trim / Removal

1. Disconnect and isolate the battery negative cable.
2. Using a trim stick or another suitable wide flat-bladed tool, pry the bezel of the window switch (3) up and away from the door trim panel far enough to disengage the four spring steel retainers of the switch.
3. Pull the switch away enough to access and disconnect the door wire harness connector (4) from the switch connector receptacle.
4. Using a suitable flat-bladed tool pry the arm rest fastener cover (2) up to access and remove the fastener (5).



5. Using a suitable flat-bladed tool pry the handle panel (2) away to access and remove the fastener (1).
6. Remove the fastener (1) that secure the rear door trim panel to the door.



7. Using a trim stick [C-4829A](#) or equivalent, carefully pull the rear door trim panel (3) away from the door (2) far enough to disengage the plastic door trim panel retention clips from the door and discard the clips.
8. Lift the rear of the panel upward slightly to disengage the interior door latch lock link and knob (1) from the rear of the door panel and the inner belt seal.

