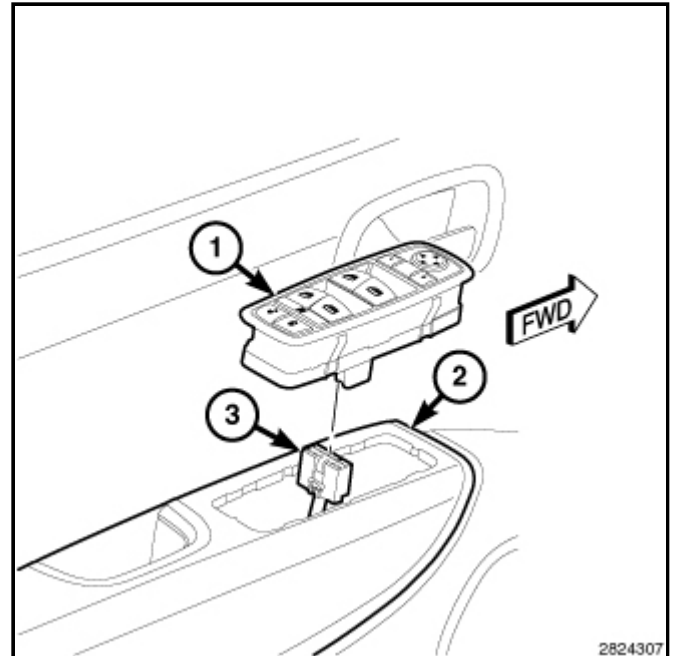


2019 Grand Cherokee - Power Locks / SWITCH, Lock / Removal

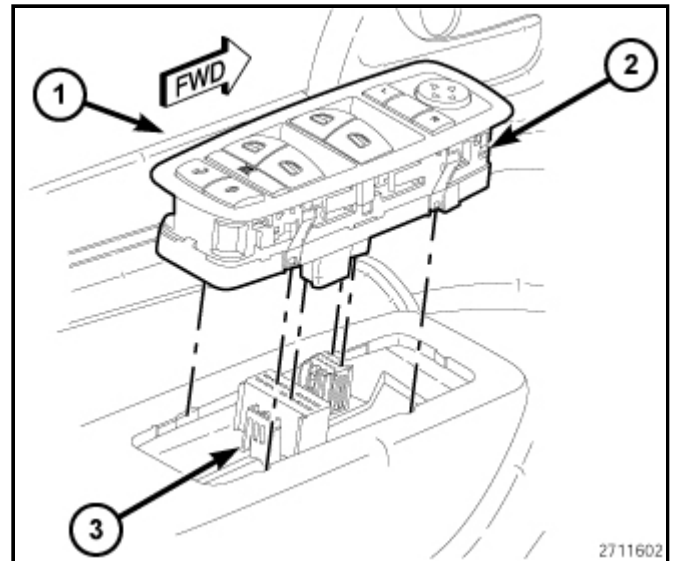
1. Disconnect and isolate the battery negative cable.
2. Using a trim stick or another suitable wide flat-bladed tool, pry the bezel of the front door switch module (1) up and away from the front door trim panel arm rest (2) far enough to disengage the four spring steel retainers of the switch from the arm rest opening.
3. Pull the switch module away from the mounting hole of the arm rest far enough to access and disconnect the door wire harness connector (3) from the switch connector receptacle.
4. Remove the switch module from the vehicle.



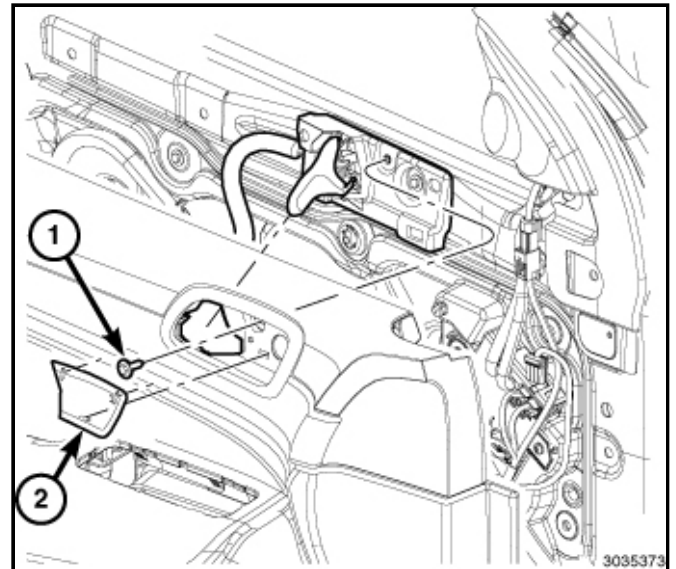
2824307

2019 Grand Cherokee - Front / PANEL, Door Trim / Removal

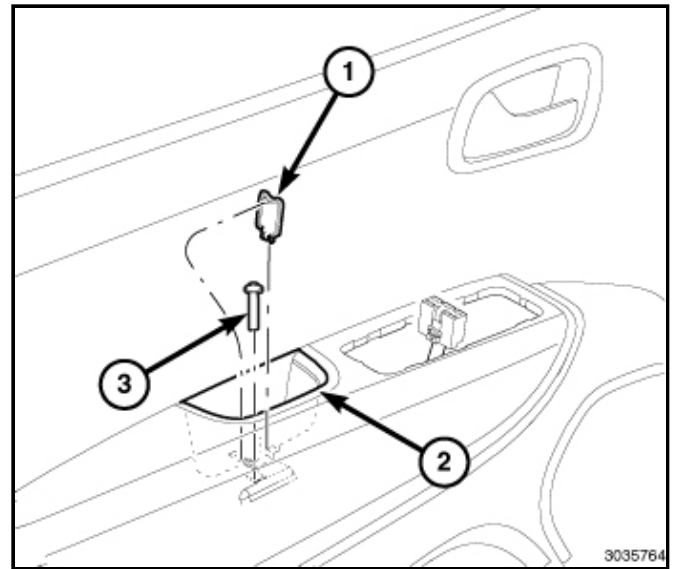
1. Disconnect and isolate the battery negative cable.
2. Remove the switch module (2) from the front door trim panel (1).



3. Using a suitable flat-bladed tool remove the trim cover (2) behind the inside handle and remove the screw (1).

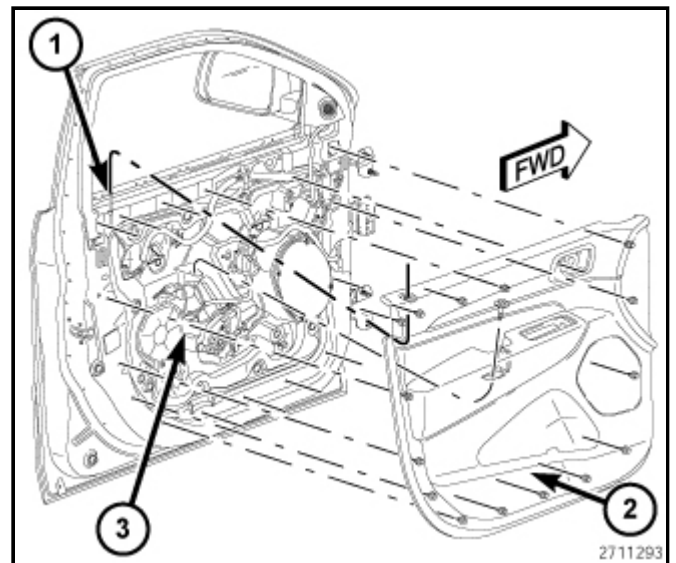


4. Remove the trim cover (1) from the arm rest pull cup (2) and remove the screw (3).



5. Using a trim stick [C-4829A](#) or equivalent, carefully pull the front door trim panel (2) away from the door far enough to release the plastic door trim panel retaining clips from the door.

6. Lift the rear of the panel upward slightly to disengage the interior door latch lock link and knob (1) from the rear of the door panel and the inner belt seal.



7. Position the front door trim panel (3) far enough away from the door to access the door wire harness connectors (2).

8. Disconnect the door wire harness.

