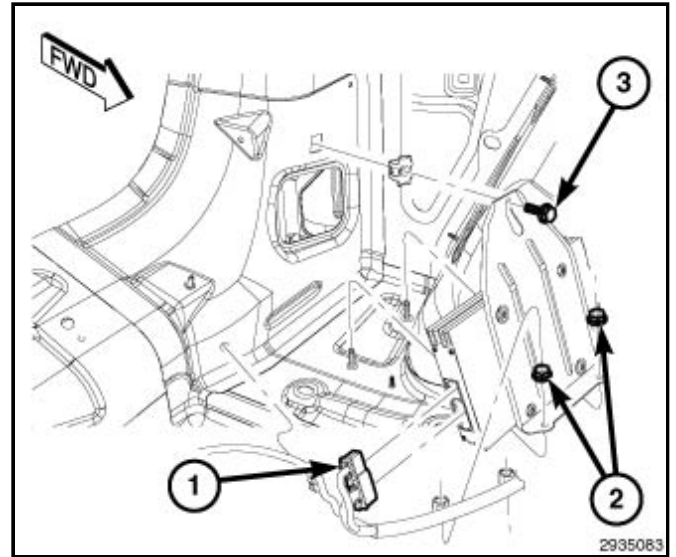


## 2019 Grand Cherokee - AMPLIFIER / Removal

1. Disconnect and isolate the battery negative cable.
2. Remove the left quarter trim panel .
3. Disconnect any wire harness connectors (1) from the amplifier.
4. Remove the mounting fasteners (2) (3).
5. Remove the amplifier.



6. Remove the retainers (1) from the amplifier bracket (2).

