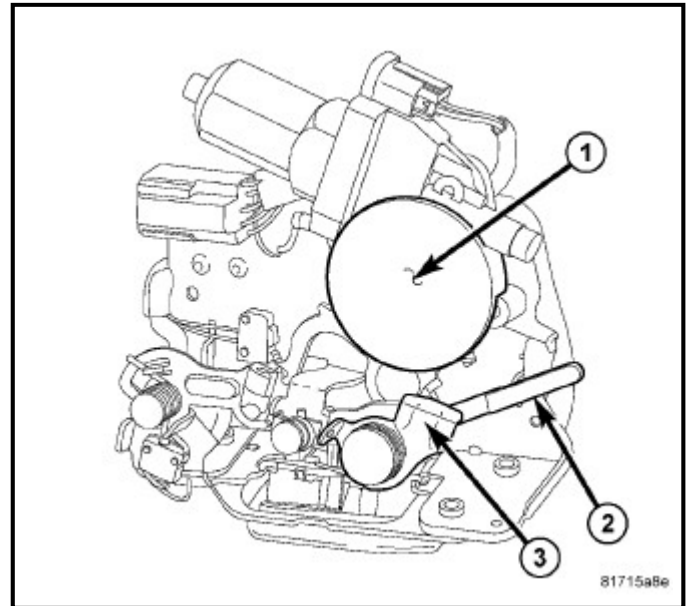


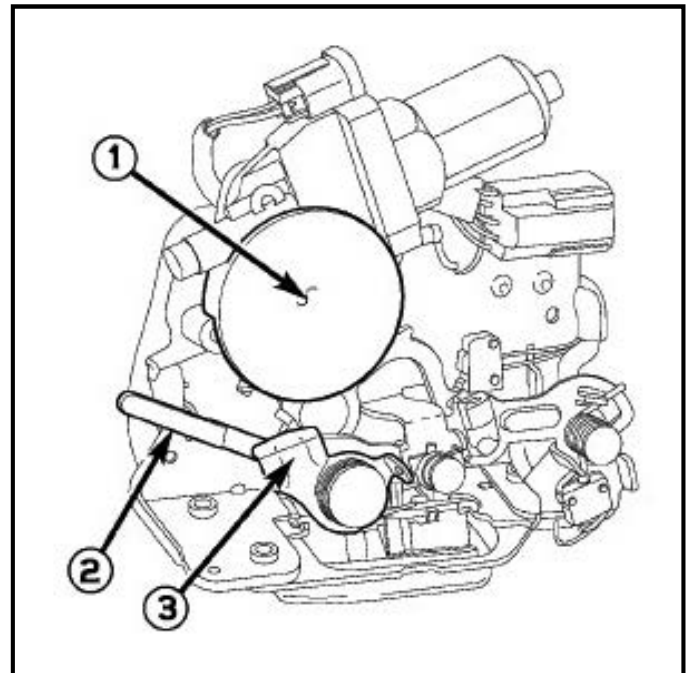
POWER LIFTGATE LATCH MANUAL OVERRIDE

NOTE: If the power liftgate latch (1) latch release function becomes inoperative, it may be released manually by operating the manual latch release lever (3). If the power liftgate latch cinch release function becomes inoperative, it may be overridden by pushing downward on the manual cinch override lever (2).

1. Remove the access cover from the center of the lower liftgate trim panel.
2. Reach around to the rearward face of the latch assembly to access and manually actuate the appropriate release lever for the current latch condition.



View orientation from exterior of vehicle



View orientation from interior of vehicle