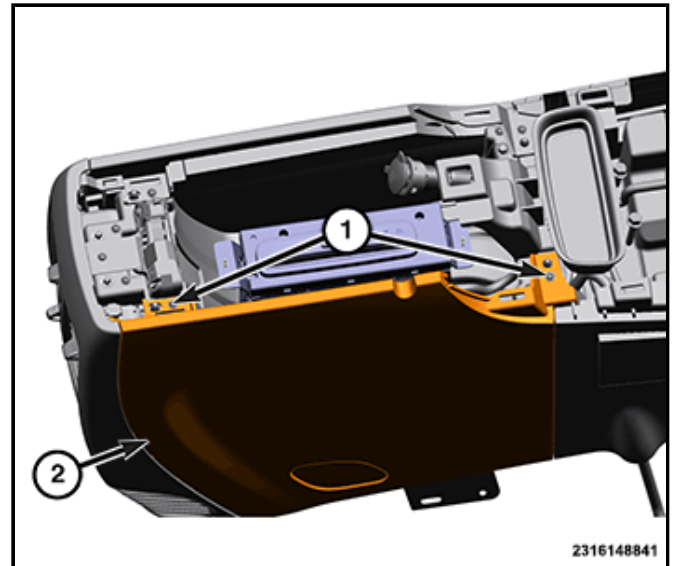


2019 Grand Cherokee - PLAYER, DVD / Removal

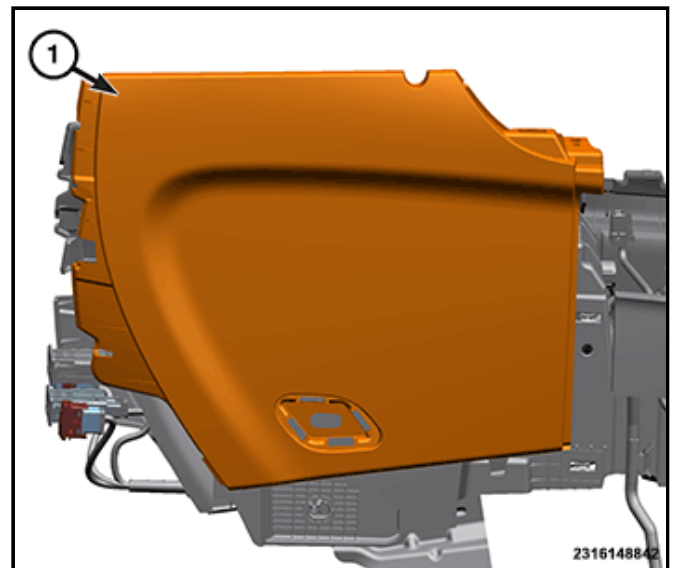
1. Disconnect and isolate the negative battery cable. If equipped with an Intelligent Battery Sensor (IBS), disconnect the IBS connector first before disconnecting the negative battery cable.

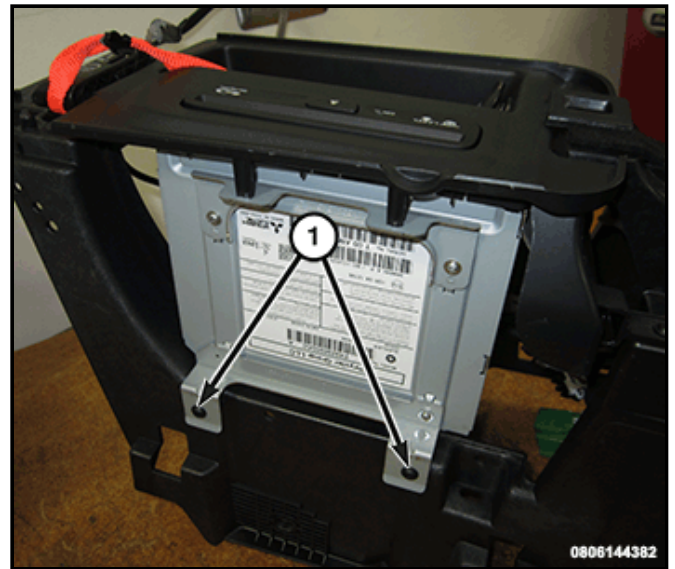
2. Remove the floor console storage bin.

3. Remove the two upper screws (1).



4. Remove the right side console cover (1) by sliding upward.





5. Remove disc player lower fasteners (1) from console housing.

6. Remove the disc player (2) mounting fasteners (1).

7. Remove the disc player from the center console storage bin.

