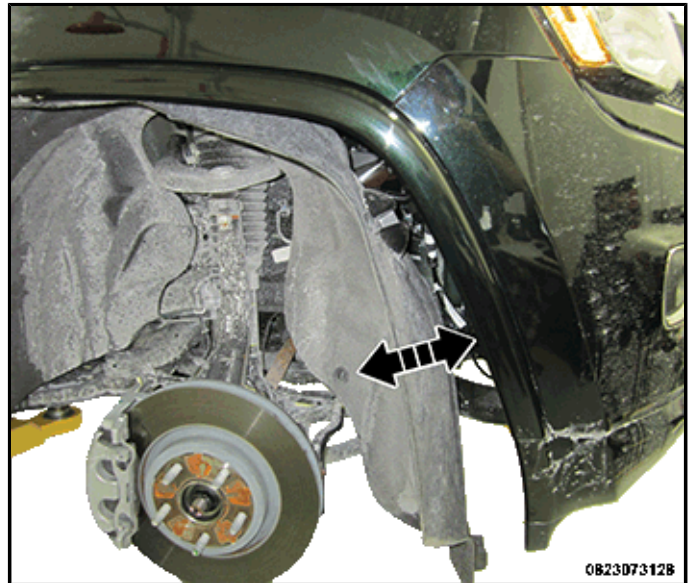


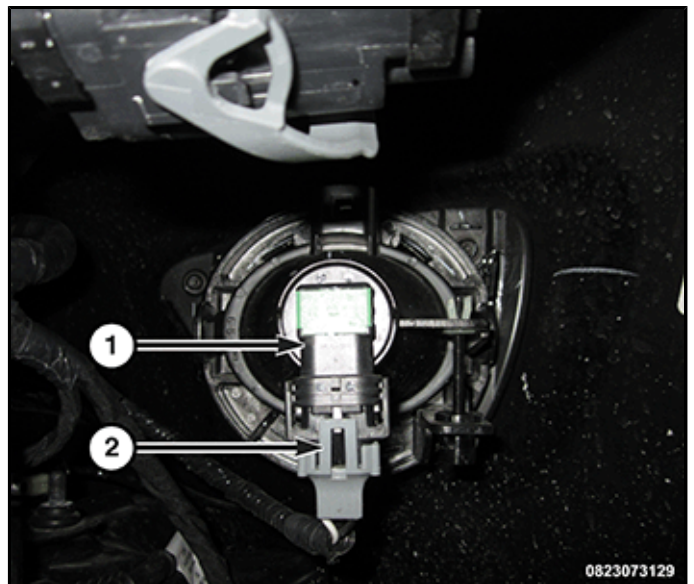
LAMP

EXCEPT SRT

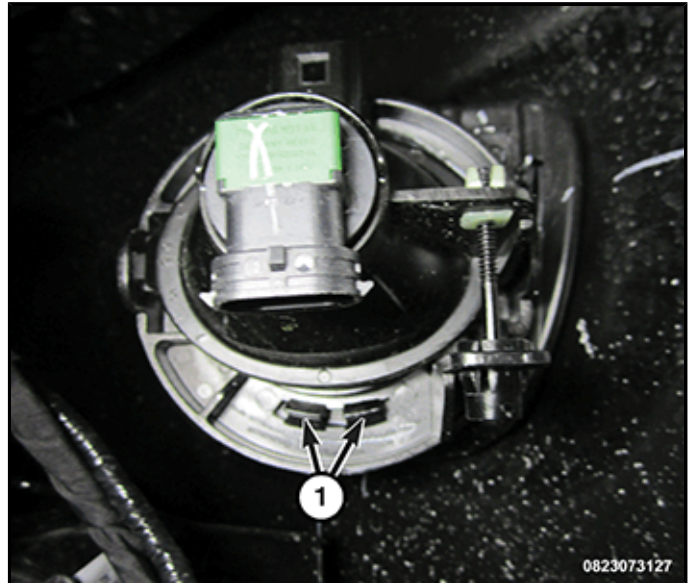
1. Disconnect and isolate the negative battery cable.
2. Raise and support the vehicle.
3. Partially pull back the appropriate wheel well splash shield to gain access to the fog lamp assembly. (Refer to 23 - Body/Exterior/SHIELD, Splash, Wheel House/Removal).



4. Separate the wiring harness electrical connector (2) from the fog lamp assembly connector (1).

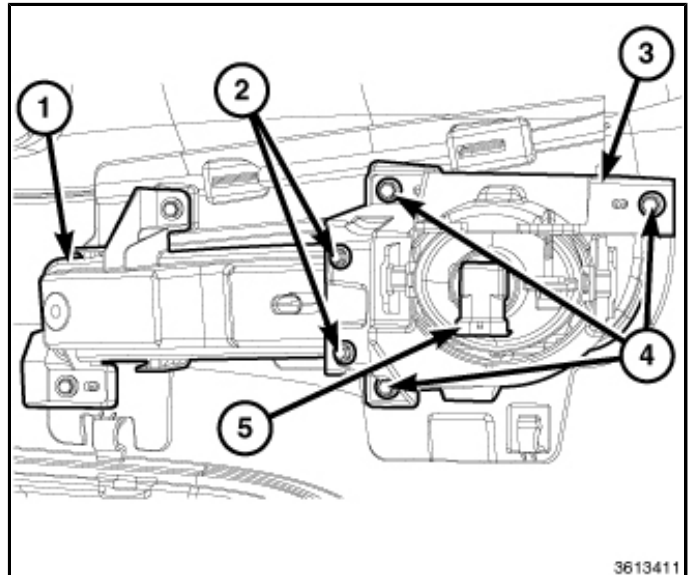


5. Depress the two tabs (1) located on the bottom of the fog lamp and remove the lamp from the fascia.



SRT

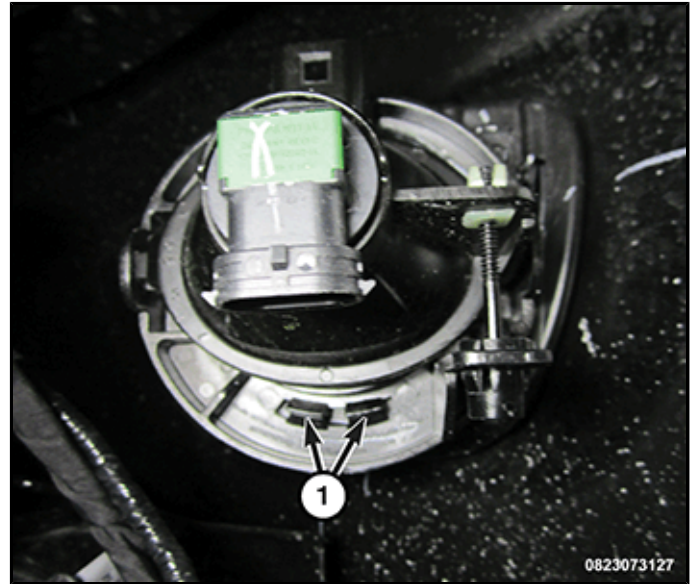
1. Disconnect and isolate the battery negative cable.
2. Remove the fasteners securing the lower portion of the front wheel house splash shield to the front fascia and fold the splash shield back away far enough to access the front fog lamp bracket (3). (Refer to 23 - Body/Exterior/SHIELD, Splash - Removal).
3. Disconnect the headlamp and dash wire harness connector from the front fog lamp bulb connector receptacle (5).
4. Remove the three screws (4) that secure the front fog lamp bracket to the back of the front fascia.
5. Remove the two screws (2) that secure the front fog lamp bracket to the outboard end of the accent lamp housing (1).
6. Remove the front fog lamp and bracket from the accent lamp and the back of the front fascia as a unit.



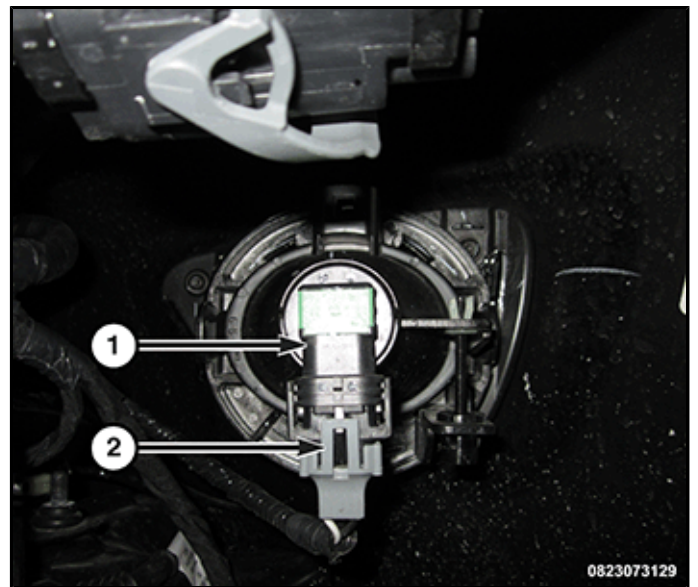
LAMP

EXCEPT SRT

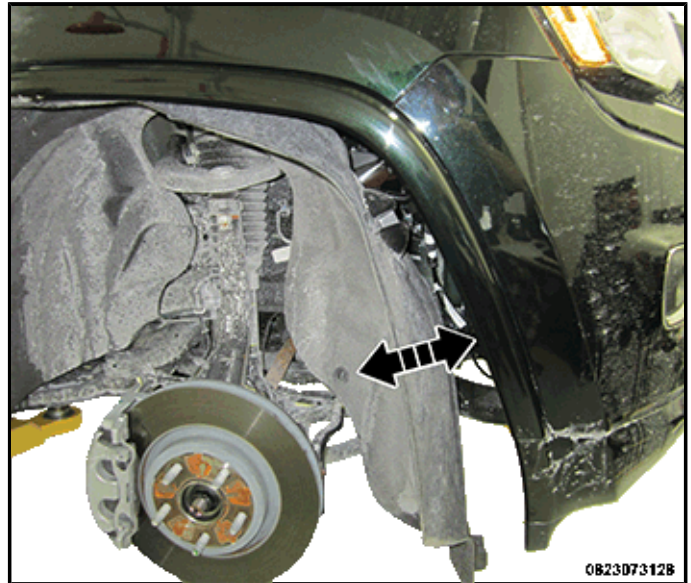
1. Position the fog lamp assembly to the fascia and snap into place making sure both tabs (1) are engaged properly.



2. Connect the headlamp and dash wire harness connector (2) to the front fog lamp bulb connector receptacle (1)



3. Install the appropriate wheel well splash shield.
(Refer to 23 - Body/Exterior/SHIELD, Splash, Wheel House/Installation).



4. Connect the negative battery cable.
5. Confirm proper fog lamp alignment. (Refer to 08 - Electrical/Lamps/Lighting - Exterior/Standard Procedure).

SRT

1. Position the front fog lamp and bracket (3) as a unit to the outboard end of the accent lamp housing (1) on the back of the front fascia.
2. Install and tighten the two screws (2) that secure the front fog lamp bracket to the outboard end of the accent lamp housing (1). Tighten the screws securely.
3. Install and tighten the three screws (4) that secure the front fog lamp bracket to the back of the front fascia. Tighten the screws securely.
4. Reconnect the headlamp and dash wire harness connector to the front fog lamp bulb connector receptacle (5).
5. Position the lower portion of the front wheel house splash shield to the front fascia and reinstall the fasteners that secure the shield to the fascia. (Refer to 23 - Body/Exterior/SHIELD, Splash - Installation).
6. Reconnect the battery negative cable.
7. Confirm proper fog lamp alignment. (Refer to 08 - Electrical/8L - Lamps and Lighting/Lamps/Lighting - Exterior - Standard Procedure).

