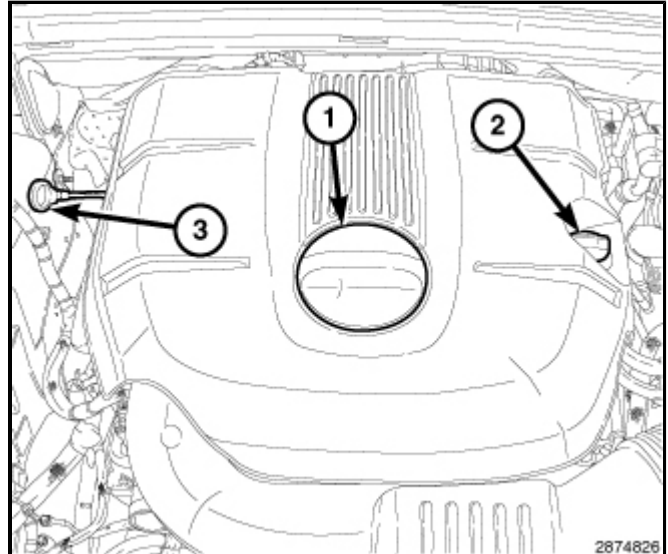


3.6L ENGINE OIL AND FILTER CHANGE

WARNING: New or used engine oil can be irritating to the skin. Avoid prolonged or repeated skin contact with engine oil. Contaminants in used engine oil, caused by internal combustion, can be hazardous to your health. Thoroughly wash exposed skin with soap and water. Do not wash skin with gasoline, diesel fuel, thinner, or solvents, health problems can result. Do not pollute, dispose of used engine oil properly. Contact your dealer or government agency for location of collection center in your area.

Change the engine oil and filter at mileage and time intervals described in the Maintenance Schedule

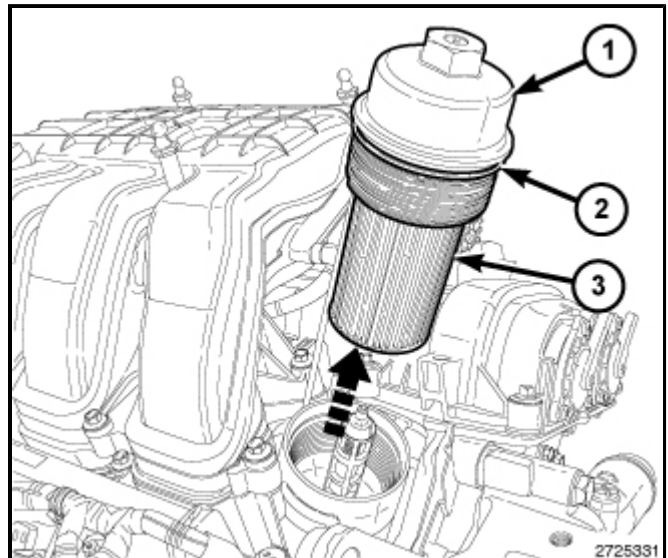
1. Run the engine until achieving normal operating temperature.
2. Position the vehicle on a level surface and turn the engine off.
3. Remove the oil filter access cover (1).



NOTE: Graphic shows engine cover removed for clarity.

CAUTION: When performing an engine oil change, the oil filter cap must be removed. Removing the oil filter cap releases oil held within the oil filter cavity and allows it to drain into the sump. Failure to remove the cap prior to reinstallation of the drain plug will not allow complete draining of the used engine oil.

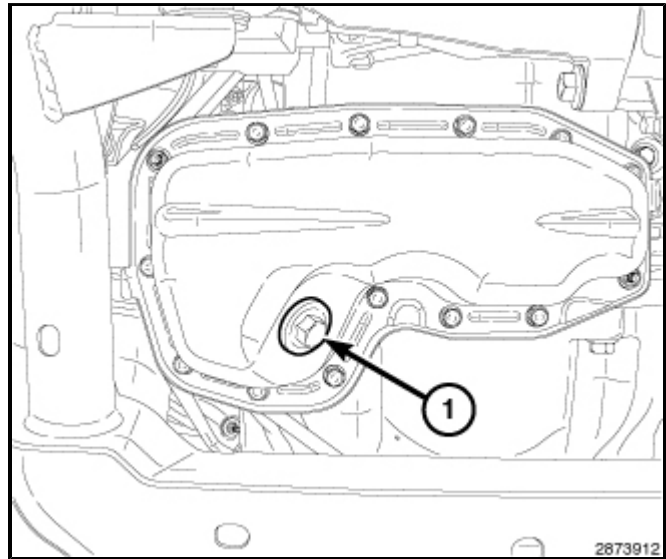
4. Place an oil absorbent cloth around the oil filter housing at the base of the oil filter cap.



NOTE: The oil filter (3) is attached to the oil filter cap (2).

5. Rotate the oil filter cap (1) counterclockwise and remove the cap (1) and filter (3) from the oil filter housing.
6. Raise and support the vehicle

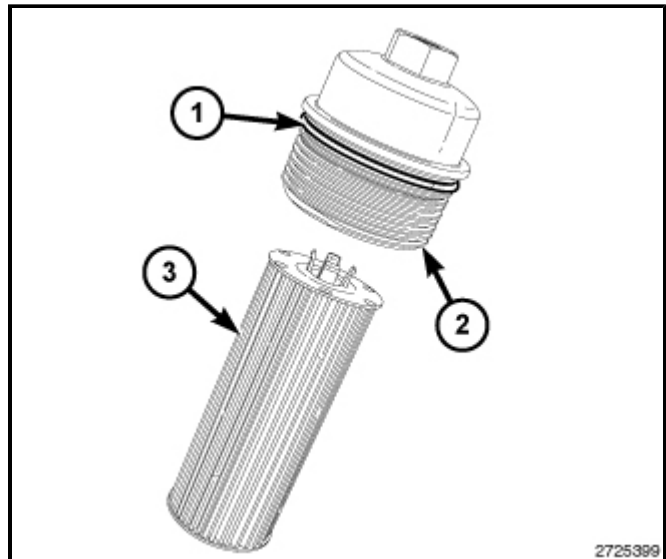
7. Place a suitable drain pan under the crankcase drain plug (1).
8. Remove the drain plug (1) from oil pan and allow the oil to drain into the pan. Inspect the drain plug threads for stretching or other damage. Replace the drain plug and gasket if damaged.
9. Install the drain plug (1) in the oil pan and tighten to 27 N·m (20 ft. lbs.).



10. Lower the vehicle.
11. Remove the oil filter (3) from the oil filter cap (2).
12. Remove and discard the O-ring seal (1).

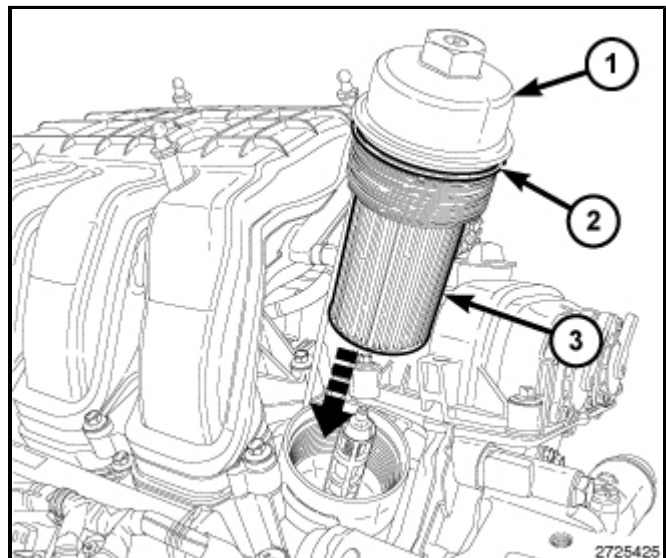
NOTE: It is not necessary to pre-oil the oil filter or fill the oil filter housing.

13. Lightly lubricate the new O-ring seal (1) with clean engine oil.
14. Install the O-ring seal (1) on the filter cap (2).
15. Install the new oil filter (3) into the oil filter cap (2).



NOTE: Graphic shows engine cover removed for clarity.

16. Thread the oil filter cap (1) into the oil filter housing and tighten to 25 N·m (18 ft. lbs.).

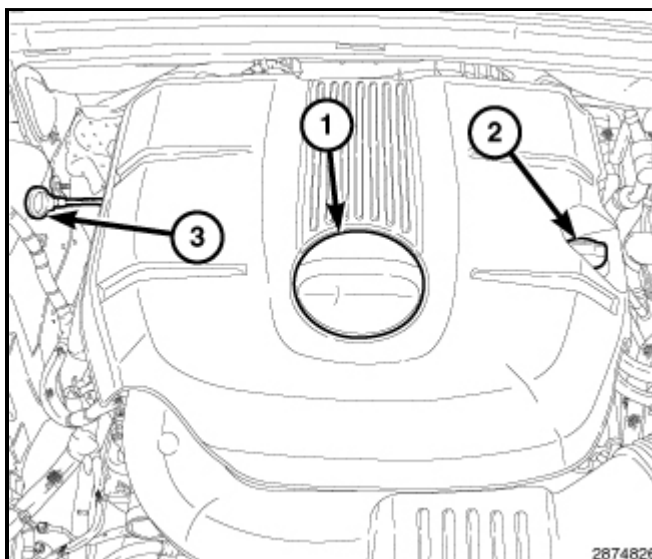


17. Remove the oil fill cap (2). Fill the crankcase with the specified type and amount of engine oil

18. Install the oil fill cap (2).

19. Start the engine and inspect for leaks.

20. Stop the engine and check the oil level (3).



OIL FILTER SPECIFICATION

All engines are equipped with a high quality full-flow, disposable type oil filter. When replacing oil filter, use a Mopar® filter or equivalent.

USED ENGINE OIL DISPOSAL

Care should be exercised when disposing of used engine oil after it has been drained from a vehicle engine. Refer to the WARNING listed above.