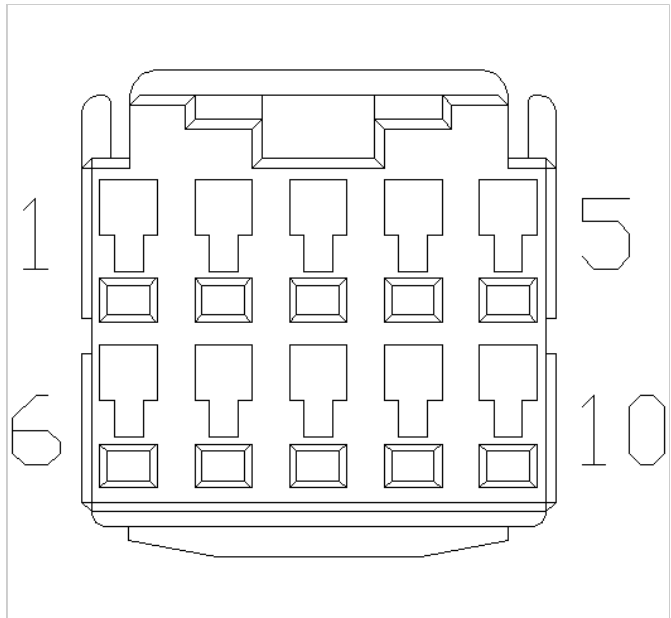


RADIO C1

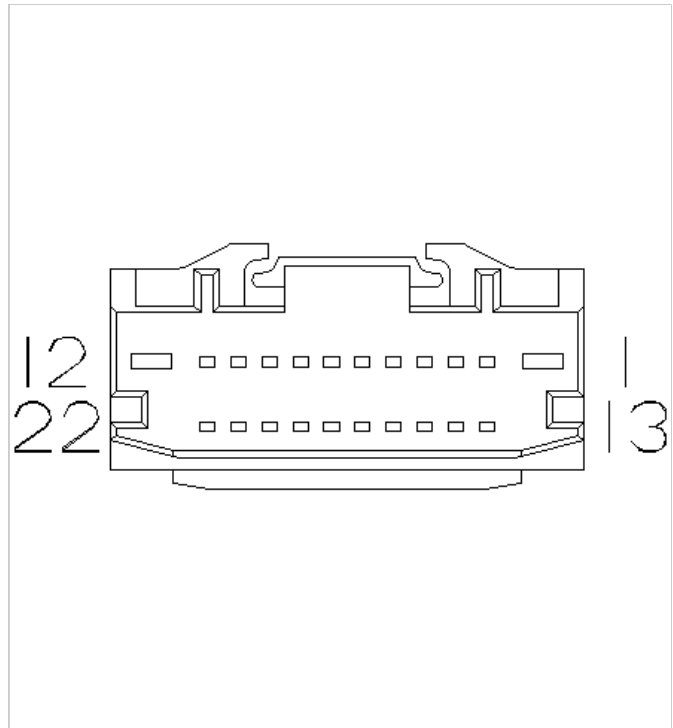
Harness Family: IP
Harness Part Number: 68085261AD
Cavities: 10
Color: GRAY
Gender: Female
Part Description: INSULATOR
Repair Kit Part Number: 05135638AA
Seal:
Engineering Name: Mod_Radio_NTG4_NAV_Amp
Connector No: D3843A
Available Views: Location View



Pin	Circuit	Wire Color	Gauge	Function
A1	X722	LB/DG	22	MICROPHONE 2 IN (+)
A2	X712	DG/LB	22	MICROPHONE 1 IN (+)
A3				NO CONNECTION
A4	X793	DG/YL	22	MICROPHONE FEED
A5				NO CONNECTION
A6				NO CONNECTION
A7	X792	DB/DG	22	MICROPHONE IN (-)
A8	X835	OR/GY	22	SENSOR GROUND
A9				NO CONNECTION
A10				NO CONNECTION

RADIO C2

Harness Family: IP
Harness Part Number: 68085261AD
Cavities: 22
Color: GRAY
Gender: Female
Part Description: 22 WAY HYBRID PLUG ASSEMBLY
Repair Kit Part Number: 68032281AA
Seal: Un-Sealed
Engineering Name: Mod_Radio_NTG4_NAV_Amp
Connector No: D3843B
Available Views: [Location View](#)

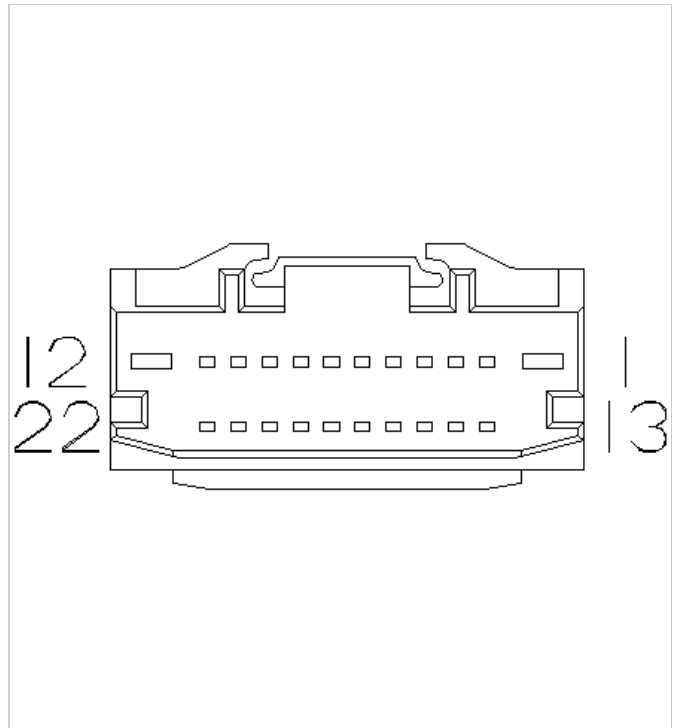


Pin	Circuit	Wire Color	Gauge	Function
B1	A116	YL/RD	14	FUSED B(+)
B2	D264	WT/OR	22	CAN IHS BUS (125K) (-)
B3				NO CONNECTION
B4				NO CONNECTION
B5				NO CONNECTION
B6				NO CONNECTION
B7	X62	GY/OR	22	AMPLIFIED ANTENNA FEED
B8	X51	DG/DB	18	LEFT REAR SPEAKER (+)
B9	X57	DG/OR	18	LEFT REAR SPEAKER (-)

B10	X52	GY/DB	18	RIGHT REAR SPEAKER (+)
B11	X58	GY/OR	18	RIGHT REAR SPEAKER (-)
B12	Z912	BK	14	GROUND
B13	D265	WT/GY	22	CAN IHS BUS (125K) (+)
B14				NO CONNECTION
B15				NO CONNECTION
B16				NO CONNECTION
B17				NO CONNECTION
B18				NO CONNECTION
B19				NO CONNECTION
B20				NO CONNECTION
B21				NO CONNECTION
B22				NO CONNECTION

RADIO C3

Harness Family: IP
Harness Part Number: 68068882AH
Cavities: 22
Color: WHITE
Gender: Female
Part Description: 22 WAY HYBRID PLUG ASSEMBLY
Repair Kit Part Number: 68032268AA
Seal: Un-Sealed
Engineering Name: Mod_Radio_NTG4_Base_Amp
Connector No: D3843C
Available Views: [Location View](#)

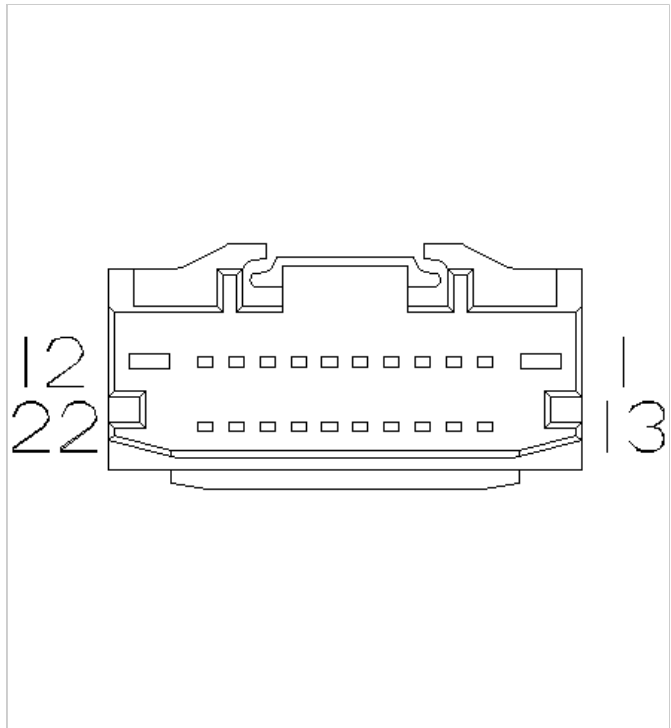


Pin	Circuit	Wire Color	Gauge	Function
C1	X552	GY/LB	22	AUDIO RETURN 3
C2				NO CONNECTION
C3	X970	DG/BR	22	CAMERA SIGNAL
C4	X971	DG/OR	22	CAMERA RETURN
C5	X972	NA	20	CAMERA SHIELD
C6	X534	GY/BR	22	VIDEO SIGNAL 1
C7	X535	GY/YL	22	VIDEO COMMON 1
C8	X536	NA	20	VIDEO SHIELD 1
C9	X541	GY/LB	22	VIDEO SIGNAL 2

C10	X542	GY/YL	22	VIDEO COMMON 2
C11	X543	NA	20	VIDEO SHIELD 2
C12	X546	GY/OR	22	AUDIO RETURN 2
C13	X551	DG/VT	22	AUDIO LEFT 3
C14	X550	DG/YL	22	AUDIO RIGHT 3
C15				NO CONNECTION
C16				NO CONNECTION
C17				NO CONNECTION
C18	X539	DG/TN	22	AUDIO LEFT 1
C19	X540	GY/VT	22	AUDIO RETURN 1
C20	X538	DG/WT	22	AUDIO RIGHT 1
C21	X545	DG/LB	22	AUDIO LEFT 2
C22	X544	DG/DB	22	AUDIO RIGHT 2

AMPLIFIER-RADIO C1

Harness Family: Body
Harness Part Number: 68100407AB
Cavities: 22
Color: WHITE
Gender: Female
Part Description: 22 WAY HYBRID PLUG ASSEMBLY
Repair Kit Part Number: 68032268AA
Seal: Un-Sealed
Engineering Name: Mod_Audio_Amplifier
Connector No: D3804A
Available Views: [Location View](#)

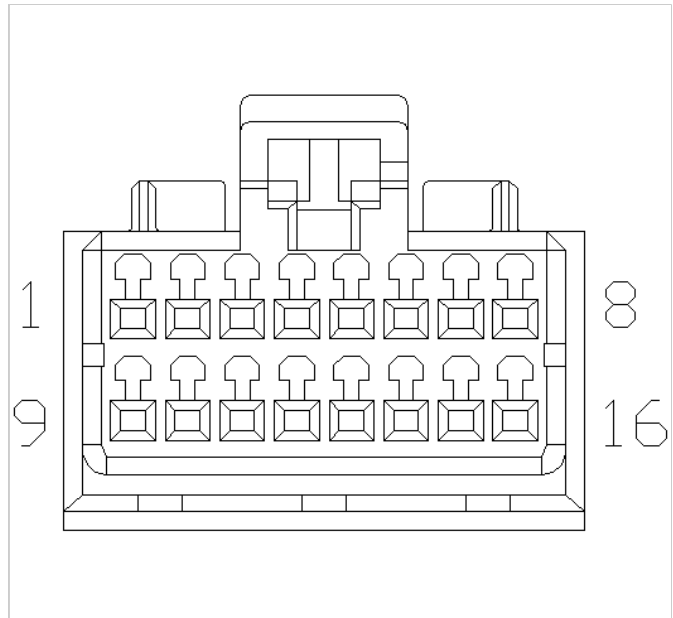


Pin	Circuit	Wire Color	Gauge	Function
1	Z922	BK	14	GROUND
2	D265	WT/GY	22	CAN IHS BUS (125K) (+)
3				NO CONNECTION
4	X51	DG/DB	18	LEFT REAR SPEAKER (+)
5	X52	GY/DB	18	RIGHT REAR SPEAKER (+)
6				NO CONNECTION
7				NO CONNECTION
8	X298	GY/LG	18	AMPLIFIED RIGHT I/P SPEAKER (-)
9	X299	GY/YL	18	AMPLIFIED LEFT I/P SPEAKER (-)

10	X303	DG/TN	18	AMPLIFIED LEFT REAR SPEAKER (+)
11	X200	GY/BR	18	AMPLIFIED CENTER I/P SPEAKER (+)
12	A116	YL/RD	14	FUSED B(+)
13	D264	WT/OR	22	CAN IHS BUS (125K) (-)
14				NO CONNECTION
15	X57	DG/OR	18	LEFT REAR SPEAKER (-)
16	X58	GY/OR	18	RIGHT REAR SPEAKER (-)
17				NO CONNECTION
18				NO CONNECTION
19	X208	GY/DG	18	AMPLIFIED RIGHT I/P SPEAKER (+)
20	X209	GY/OR	18	AMPLIFIED LEFT I/P SPEAKER (+)
21	X393	DG/GY	18	AMPLIFIED LEFT REAR SPEAKER (-)
22	X290	GY/OR	18	AMPLIFIED CENTER I/P SPEAKER (-)

AMPLIFIER-RADIO C2

Harness Family: Body
Harness Part Number: 68100407AB
Cavities: 16
Color: BLACK
Gender: Female
Part Description: INSULATOR
Repair Kit Part Number: 68032269AA
Seal: Un-Sealed
Engineering Name: Mod_Audio_Amplifier
Connector No: D3804B
Available Views: Location View

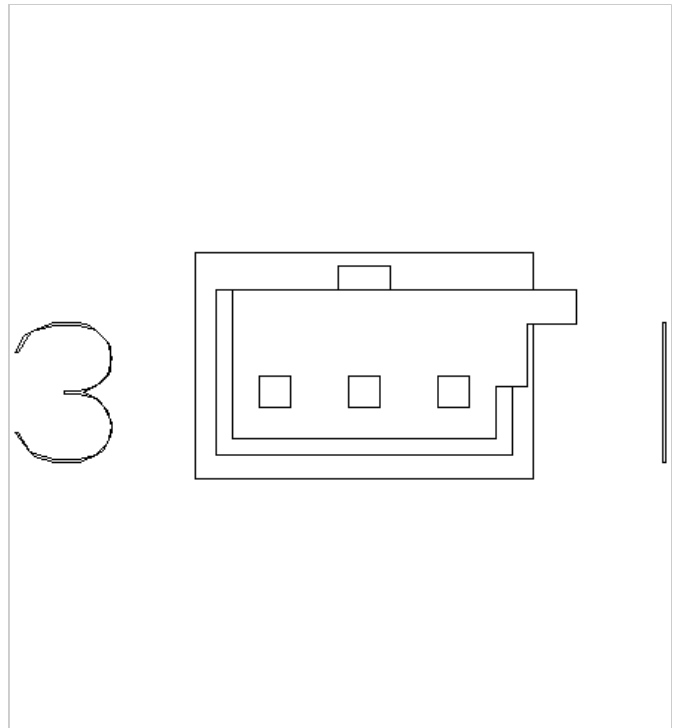


Pin	Circuit	Wire Color	Gauge	Function
1				NO CONNECTION
2	X394	YL/GY	18	AMPLIFIED RIGHT REAR SPEAKER (-)
3	X300	GY/BR	18	AMPLIFIED SUBWOOFER 1 (+)
4	X206	DG/LG	18	RIGHT REAR SPEAKER (+)
5	X295	GY/DG	18	LEFT REAR SPEAKER (-)
6	X391	DG/WT	18	AMPLIFIED SUBWOOFER 2 (-)
7	X202	DG/VT	18	RIGHT FRONT SPEAKER (+)
8	X201	GY/VT	18	LEFT FRONT SPEAKER (+)
9				NO CONNECTION
10	X304	DG/BR	18	AMPLIFIED RIGHT REAR SPEAKER (+)
11	X390	DG/BR	18	AMPLIFIED SUBWOOFER 1 (-)

12	X296	DG/GY	18	RIGHT REAR SPEAKER (-)
13	X205	GY/LG	18	LEFT REAR SPEAKER (+)
14	X301	GY/WT	18	AMPLIFIED SUBWOOFER 2 (+)
15	X292	DG/YL	18	RIGHT FRONT SPEAKER (-)
16	X291	GY/YL	18	LEFT FRONT SPEAKER (-)

SPEAKER-DOOR-LEFT FRONT-TWEETER

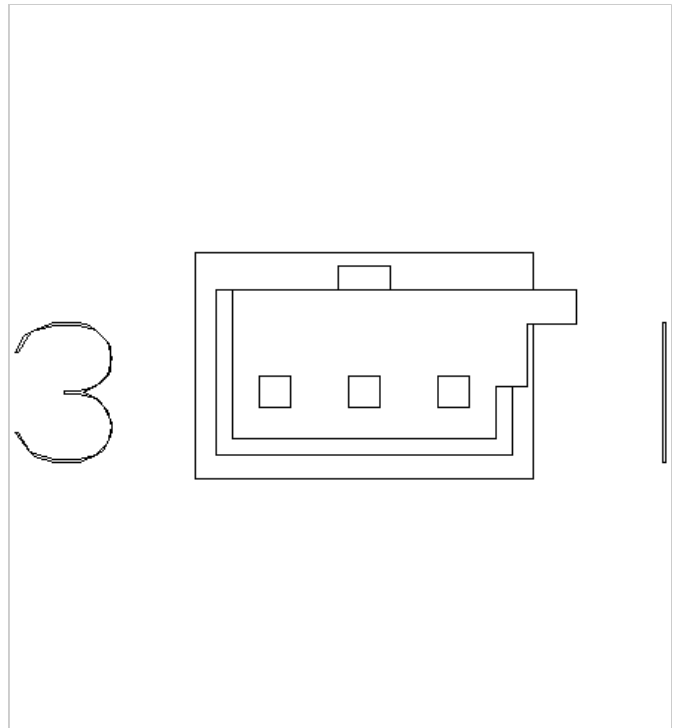
Harness Family: Speaker_Left
Harness Part Number: 68057624AGDLT
Cavities: 3
Color: BLACK
Gender: Female
Part Description: MQS CONNECTOR
Repair Kit Part Number: 68052579AA
Seal: Un-Sealed
Engineering Name: Spkr_Door_FT_LT_Tweeter_Prem
Connector No: D2584ABB
Available Views: [Location View](#)



Pin	Circuit	Wire Color	Gauge	Function
A1	X209	GY/OR	20	AMPLIFIED LEFT I/P SPEAKER (+)
A2				NO CONNECTION
A3	X299	GY/YL	20	AMPLIFIED LEFT I/P SPEAKER (-)

SPEAKER-DOOR-RIGHT FRONT-TWEETER

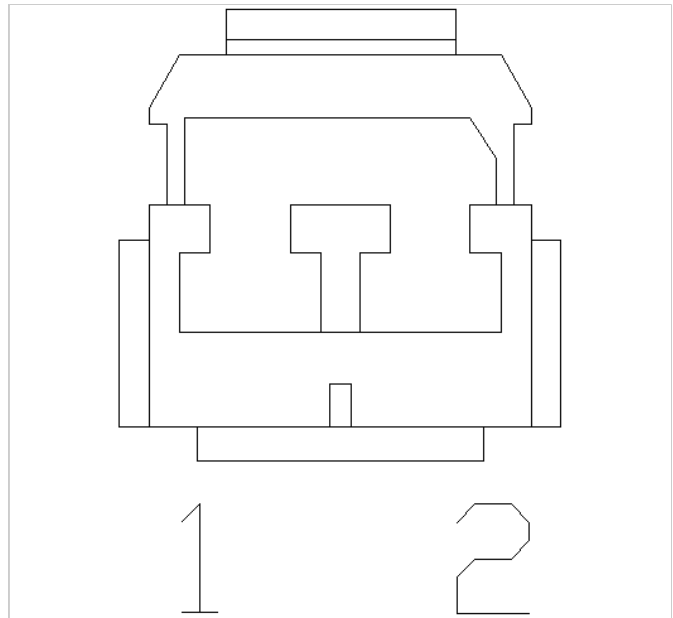
Harness Family: Speaker_Right
Harness Part Number: 68057624AGPRT
Cavities: 3
Color: BLACK
Gender: Female
Part Description: MQS CONNECTOR
Repair Kit Part Number: 68052579AA
Seal: Un-Sealed
Engineering Name: Spkr_Door_FT_RT_Tweeter_Prem
Connector No: D2585AAA
Available Views: [Location View](#)



Pin	Circuit	Wire Color	Gauge	Function
A1	X208	GY/OR	20	AMPLIFIED RIGHT I/P SPEAKER (+)
A2				NO CONNECTION
A3	X298	GY/YL	20	AMPLIFIED RIGHT I/P SPEAKER (-)

SPEAKER-INSTRUMENT PANEL-CENTER

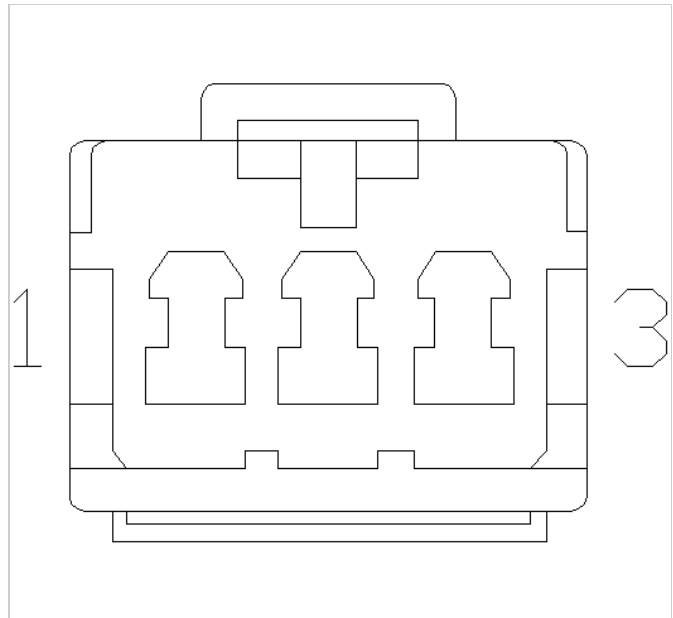
Harness Family: IP
Harness Part Number: 68085261AD
Cavities: 2
Color: WHITE
Gender: Female
Part Description: .070 SRS MLC 2POS PLUG HOUSING
Repair Kit Part Number: 68040489AA
Seal: Un-Sealed
Engineering Name: Spkr_IP_Center_Prem
Connector No: D5914A
Available Views: [Location View](#)



Pin	Circuit	Wire Color	Gauge	Function
A1	X200	GY/BR	18	AMPLIFIED CENTER I/P SPEAKER (+)
A2	X290	GY/OR	18	AMPLIFIED CENTER I/P SPEAKER (-)

SPEAKER-LEFT FRONT DOOR

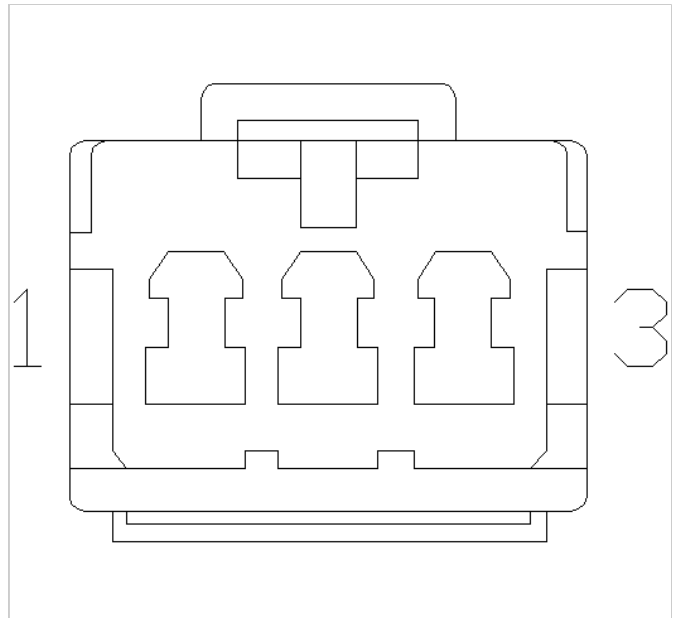
Harness Family: Door_Driver
Harness Part Number: 68101228AA
Cavities: 3
Color: WHITE
Gender: Female
Part Description: 070 SERIES MULTILOCK CONNECTOR PLUG HSG
Repair Kit Part Number: 05161929AA
Seal:
Engineering Name: Spkr_Door_FT_LT
Connector No: D5908A
Available Views: [Location View](#)



Pin	Circuit	Wire Color	Gauge	Function
A1	X291	GY/YL	18	LEFT FRONT SPEAKER (-)
A2				NO CONNECTION
A3	X201	GY/VT	18	LEFT FRONT SPEAKER (+)

SPEAKER-RIGHT FRONT DOOR

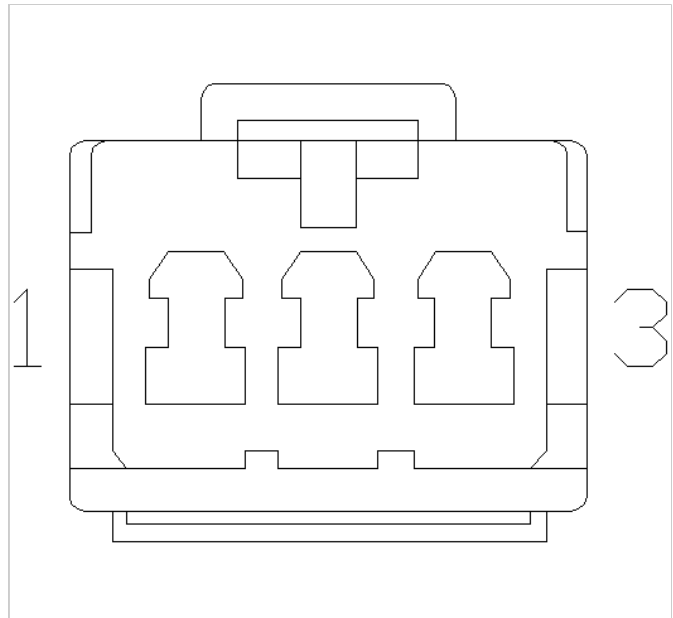
Harness Family: Door_Pass
Harness Part Number: 68101230AA
Cavities: 3
Color: WHITE
Gender: Female
Part Description: 070 SERIES MULTILOCK CONNECTOR PLUG HSG
Repair Kit Part Number: 05161929AA
Seal:
Engineering Name: Spkr_Door_FT_RT
Connector No: D5909AAA
Available Views: Location View



Pin	Circuit	Wire Color	Gauge	Function
A1	X292	DG/YL	18	RIGHT FRONT SPEAKER (-)
A2				NO CONNECTION
A3	X202	DG/VT	18	RIGHT FRONT SPEAKER (+)

SPEAKER-LEFT REAR DOOR

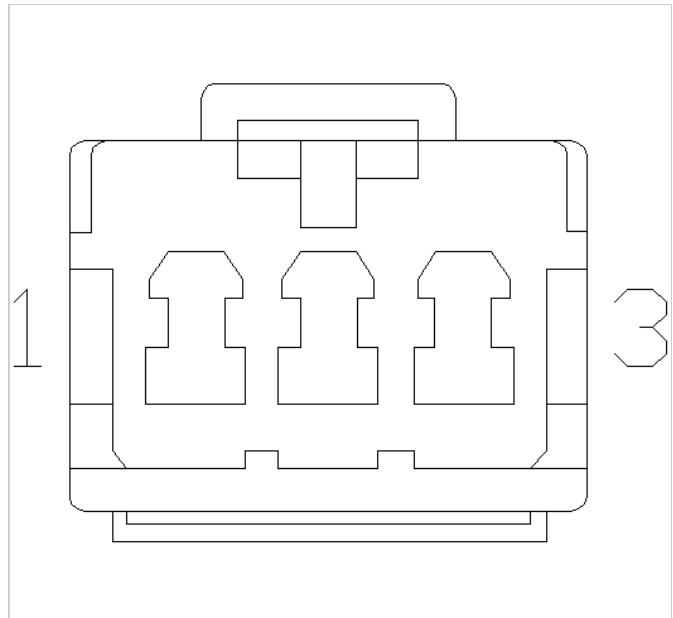
Harness Family: Door_Left_Rear
Harness Part Number: 68049195AG
Cavities: 3
Color: WHITE
Gender: Female
Part Description: 070 SERIES MULTILOCK CONNECTOR PLUG HSG
Repair Kit Part Number: 05161929AA
Seal:
Engineering Name: Spkr_Door_RR_LT
Connector No: D5910A
Available Views: Location View



Pin	Circuit	Wire Color	Gauge	Function
A1	X205	GY/LG	18	LEFT REAR SPEAKER (+)
A2				NO CONNECTION
A3	X295	GY/DG	18	LEFT REAR SPEAKER (-)

SPEAKER-RIGHT REAR DOOR

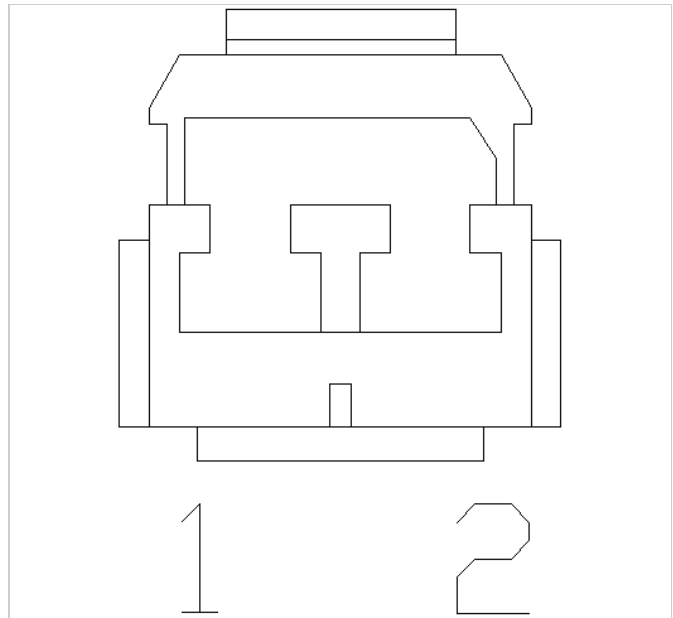
Harness Family: Door_Right_Rear
Harness Part Number: 68022240AG
Cavities: 3
Color: WHITE
Gender: Female
Part Description: 070 SERIES MULTILOCK CONNECTOR PLUG HSG
Repair Kit Part Number: 05161929AA
Seal:
Engineering Name: Spkr_Door_RR_RT
Connector No: D5911A
Available Views: Location View



Pin	Circuit	Wire Color	Gauge	Function
A1	X206	DG/LG	18	RIGHT REAR SPEAKER (+)
A2				NO CONNECTION
A3	X296	DG/GY	18	RIGHT REAR SPEAKER (-)

SPEAKER-D-PILLAR-LEFT

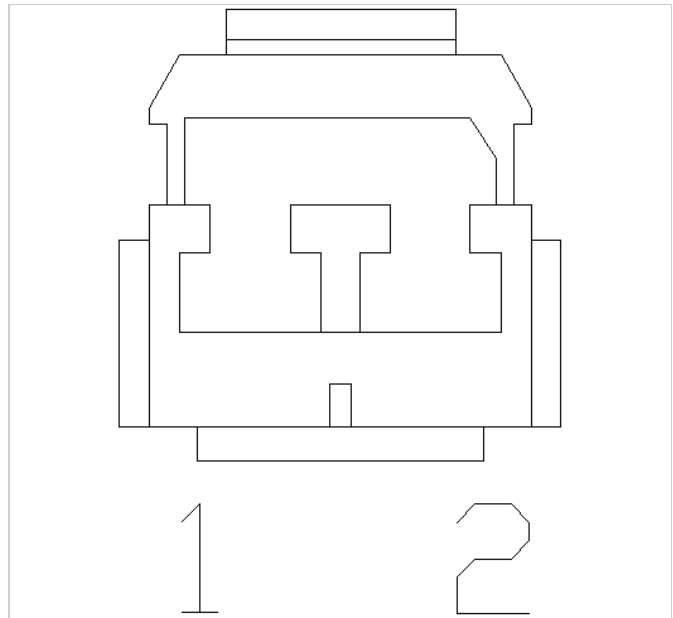
Harness Family: Body
Harness Part Number: 68100407AB
Cavities: 2
Color: WHITE
Gender: Female
Part Description: .070 SRS MLC 2POS PLUG HOUSING
Repair Kit Part Number: 68040489AA
Seal: Un-Sealed
Engineering Name: Spkr_D_Pillar_LT_Prem
Connector No: D5935
Available Views: Location View



Pin	Circuit	Wire Color	Gauge	Function
1	X303	DG/TN	18	AMPLIFIED LEFT REAR SPEAKER (+)
2	X393	DG/GY	18	AMPLIFIED LEFT REAR SPEAKER (-)

SPEAKER-D-PILLAR-RIGHT

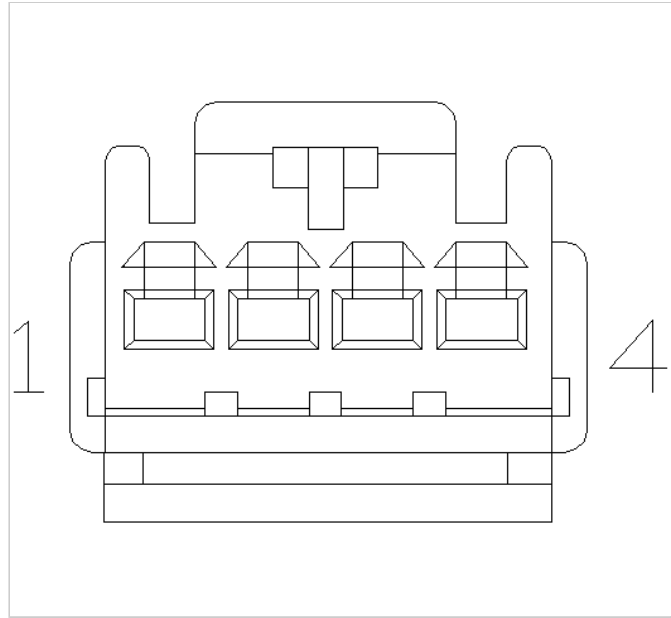
Harness Family: Body
Harness Part Number: 68100407AB
Cavities: 2
Color: WHITE
Gender: Female
Part Description: .070 SRS MLC 2POS PLUG HOUSING
Repair Kit Part Number: 68040489AA
Seal: Un-Sealed
Engineering Name: Spkr_D_Pillar_RT_Prem
Connector No: D5936
Available Views: Location View



Pin	Circuit	Wire Color	Gauge	Function
1	X304	DG/BR	18	AMPLIFIED RIGHT REAR SPEAKER (+)
2	X394	YL/GY	18	AMPLIFIED RIGHT REAR SPEAKER (-)

SPEAKER-SUBWOOFER

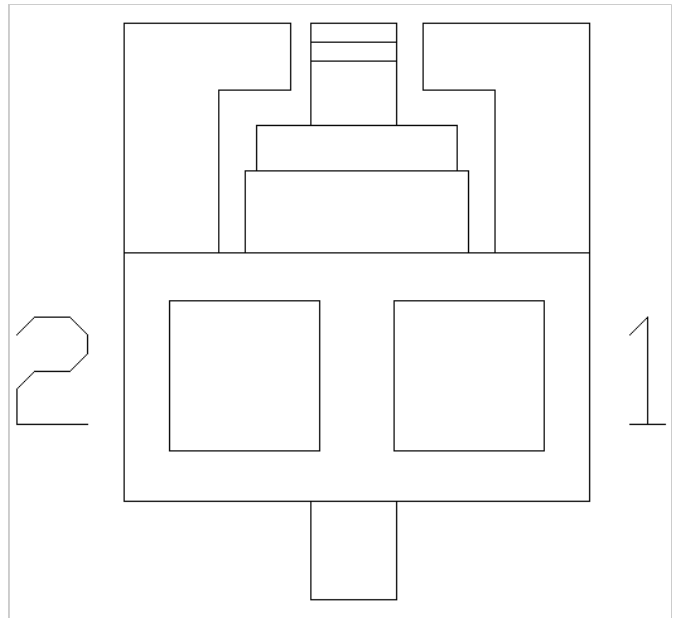
Harness Family: Body
Harness Part Number: 68100407AB
Cavities: 4
Color: WHITE
Gender: Female
Part Description: INSULATOR
Repair Kit Part Number: 05102399AA
Seal: Un-Sealed
Engineering Name: Spkr_Subwoofer
Connector No: D5920A
Available Views: Location View



Pin	Circuit	Wire Color	Gauge	Function
A1	X300	GY/BR	18	AMPLIFIED SUBWOOFER 1 (+)
A2	X390	DG/BR	18	AMPLIFIED SUBWOOFER 1 (-)
A3	X301	GY/WT	18	AMPLIFIED SUBWOOFER 2 (+)
A4	X391	DG/WT	18	AMPLIFIED SUBWOOFER 2 (-)

SWITCH-REMOTE RADIO-LEFT

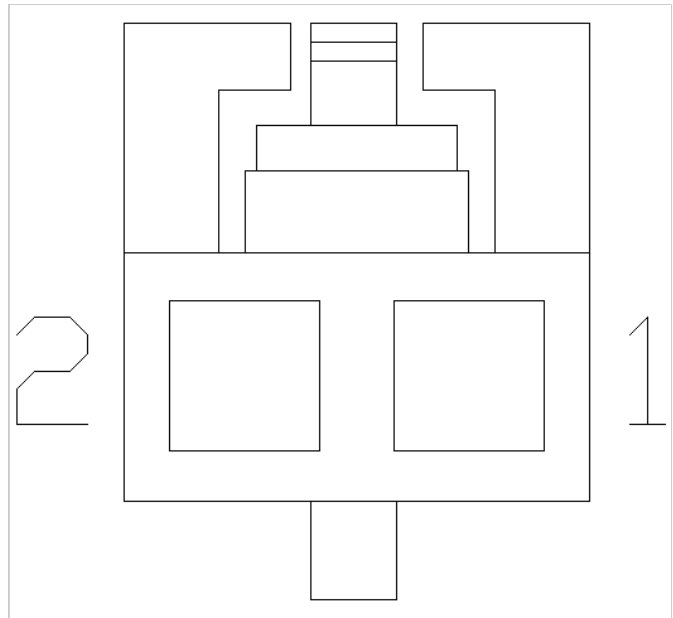
Harness Family: Steering_Wheel
Harness Part Number: 1015485
Cavities: 2
Color: BLACK
Gender: Female
Part Description: INSULATOR
Repair Kit Part Number: Not Available
Seal: Un-Sealed
Engineering Name: Sw_Remote_Radio_LT
Connector No: D2276
Available Views: [Location View](#)



Pin	Circuit	Wire Color	Gauge	Function
1	X920	BR	22	RADIO CONTROL MUX RETURN
2	X20	RD	22	RADIO CONTROL MUX

SWITCH-REMOTE RADIO-RIGHT

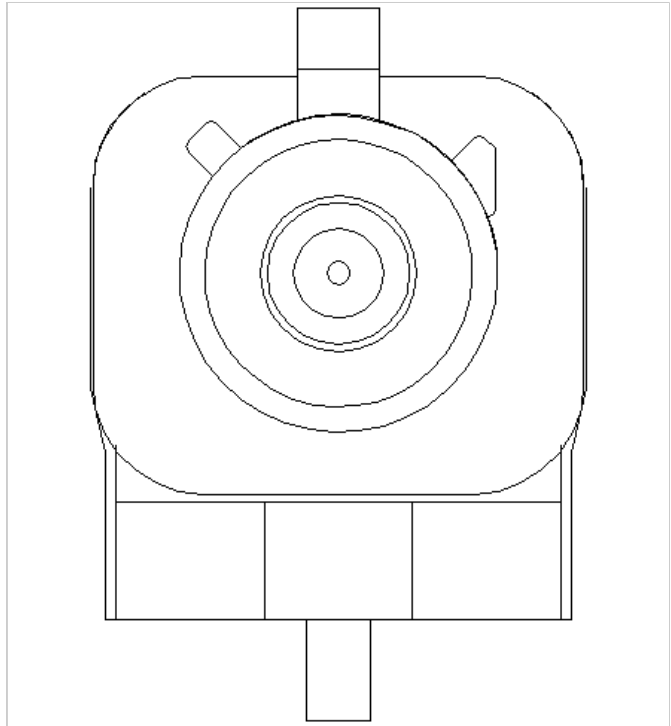
Harness Family: Steering_Wheel
Harness Part Number: 1015485
Cavities: 2
Color: BLACK
Gender: Female
Part Description: INSULATOR
Repair Kit Part Number: Not Available
Seal: Un-Sealed
Engineering Name: Sw_Remote_Radio_RT
Connector No: D2277
Available Views: [Location View](#)



Pin	Circuit	Wire Color	Gauge	Function
1	X920	BR		RADIO CONTROL MUX RETURN
2	X20	RD		RADIO CONTROL MUX

ANTENNA-RADIO C1

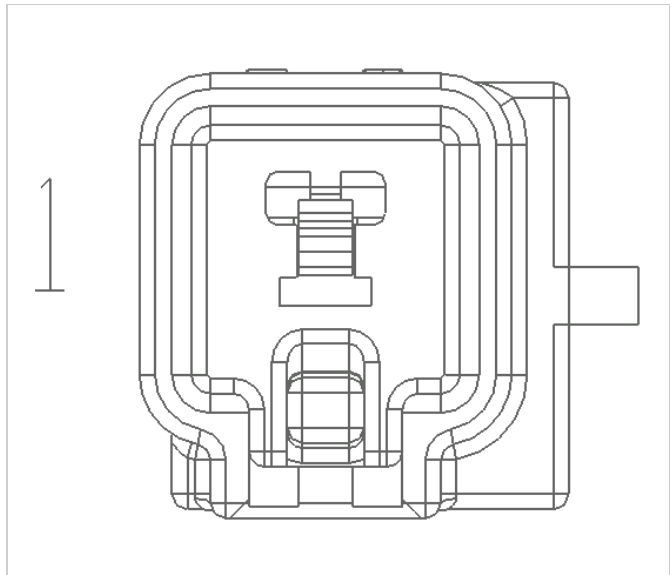
Harness Family: Body
Harness Part Number: 68086964AC
Cavities: 1
Color: WHITE
Gender: Male
Part Description: RG-59, FAKRA, SMB
Repair Kit Part Number: Not Available
Seal:
Engineering Name: Ant_Audio_AM_FM
Connector No: D5901A
Available Views: Location View



Pin	Circuit	Wire Color	Gauge	Function
A1	D5	NA	06	ANTENNA SIGNAL
A2	D931	BK	99	ANTENNA SHIELD

ANTENNA-RADIO C2

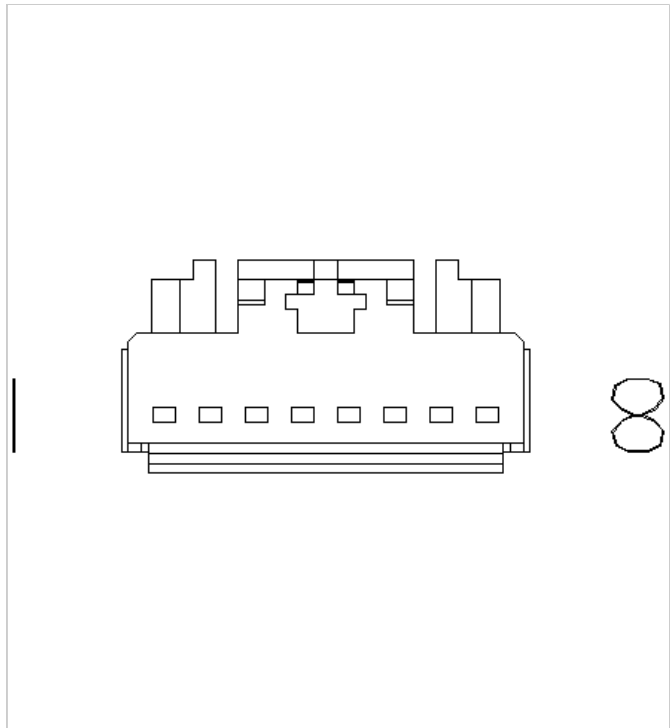
Harness Family: Body
Harness Part Number: 68086964AC
Cavities: 1
Color: BLACK
Gender: Male
Part Description: ASM CONN 1 M 090 II BLK
Repair Kit Part Number: Not Available
Seal: Un-Sealed
Engineering Name: Ant_Audio_AM_FM
Connector No: D5901B
Available Views: [Location View](#)



Pin	Circuit	Wire Color	Gauge	Function
1	X62	GY/OR	20	AMPLIFIED ANTENNA FEED

PORT-AUXILIARY AUDIO VIDEO

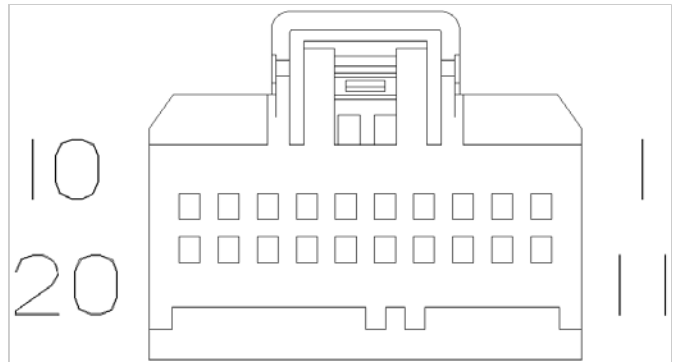
Harness Family: Console_Rear
Harness Part Number: X40006201XX
Cavities: 8
Color: BLACK
Gender: Female
Part Description: CONNECTOR (PLUG HOUSING SIDE LOCK/CPA)
Repair Kit Part Number: 68064994AA
Seal: Un-Sealed
Engineering Name: Port_AV_AUX_Jack_MPORT_Console
Connector No: D2375A
Available Views: [Location View](#)



Pin	Circuit	Wire Color	Gauge	Function
A1	X521	GY/LB	22	LEFT AUDIO AUX
A2	X522	GY/DB	22	RIGHT AUDIO AUX
A3	X519	DG/VT	22	AUX AUDIO COMMON 2
A4				NO CONNECTION
A5				NO CONNECTION
A6	X531	GY/LB	22	AUX VIDEO SIGNAL 2
A7	X532	GY/DB	22	AUX VIDEO COMMON 2
A8	X533		22	AUX VIDEO SHIELD 2

MIRROR-INSIDE REARVIEW C1

Harness Family: Mirror_Int_Jumper
Harness Part Number: 68079155AC
Cavities: 20
Color: BLACK
Gender: Female
Part Description: USCAR 20P .64 CONNECTOR ASSY (CLUSTER)
Repair Kit Part Number: Not Available
Seal: Un-Sealed
Engineering Name: Assy_Mirror_Inside_RR_View_HFM_EC_Beam
Connector No: D6625A
Available Views: [Location View](#)

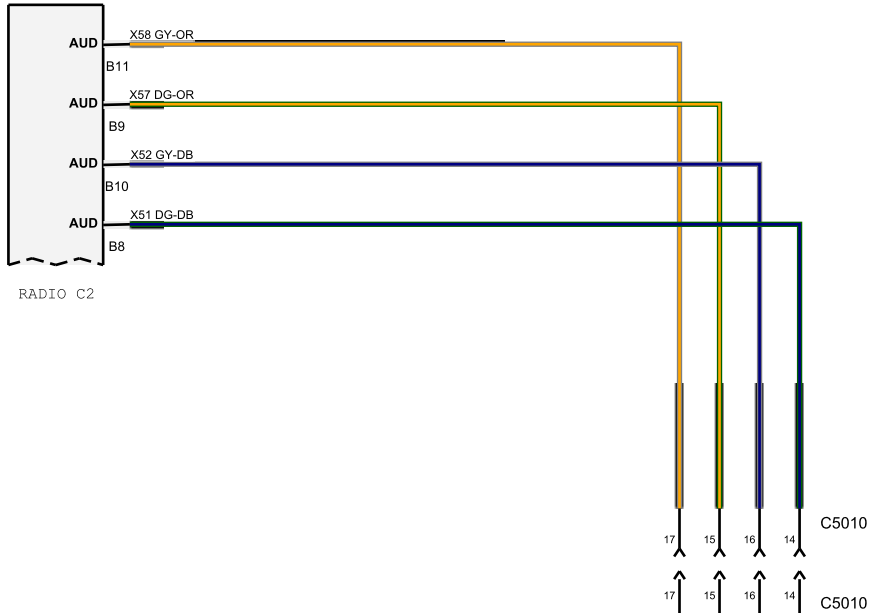


Pin	Circuit	Wire Color	Gauge	Function
A1	X712	DB/LB	22	MICROPHONE 1 IN (+)
A2	X792	DB/DG	22	MICROPHONE IN (-)
A3	X722	LB/DG	22	MICROPHONE 2 IN (+)
A4				NO CONNECTION
A5				NO CONNECTION
A6	D265	WT/GY	22	CAN IHS BUS (125K) (+)
A7	D264	WT/OR	22	CAN IHS BUS (125K) (-)
A8	Z912	BK	18	GROUND
A9	L1	WT/LG	18	BACKUP LAMP FEED
A10	X835	OR/GY	22	SENSOR GROUND
A11				NO CONNECTION
A12				NO CONNECTION
A13	F943	PK/LG	18	FUSED IGNITION RUN-START CONTROL OUTPUT
A14	P112	TN/OR	22	AUTO DAY/NIGHT MIRROR (+)
A15	X793	DG/YL	22	MICROPHONE FEED
A16	P114	TN/WT	22	AUTO DAY/NIGHT MIRROR (-)

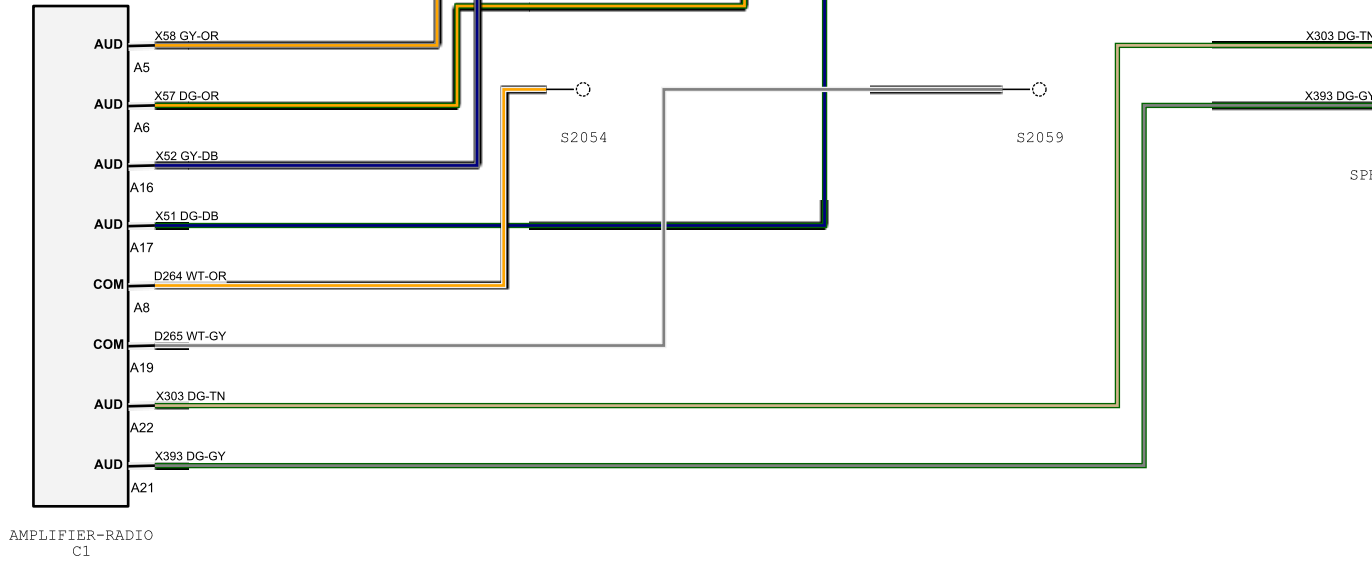
A17				NO CONNECTION
A18				NO CONNECTION
A19				NO CONNECTION
A20				NO CONNECTION

AMPLIFIER-RADIO C1

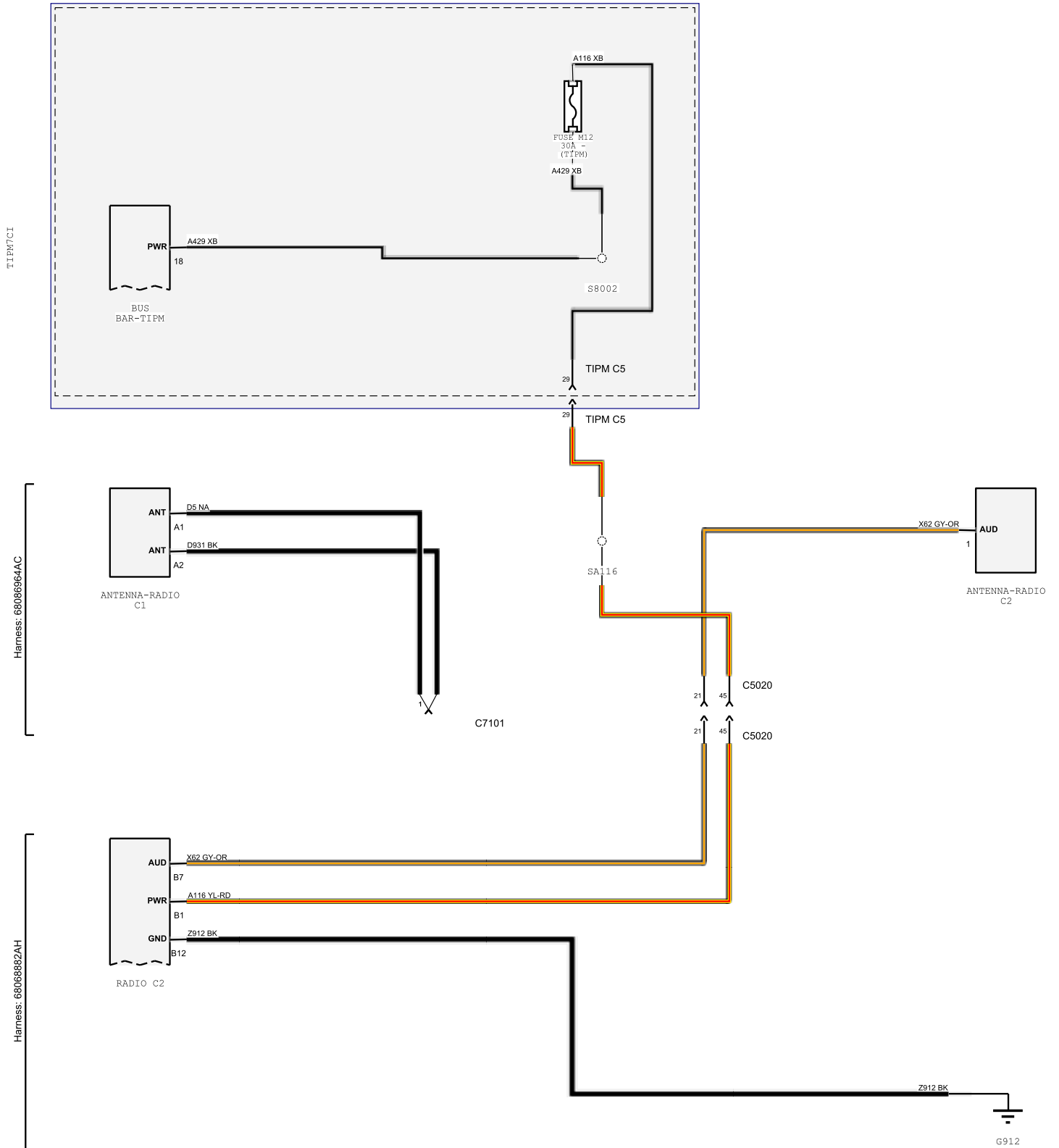
Harness: 6806882AH



Harness: 68086964AC



47-01 POWER-GROUND-ANTENNAS

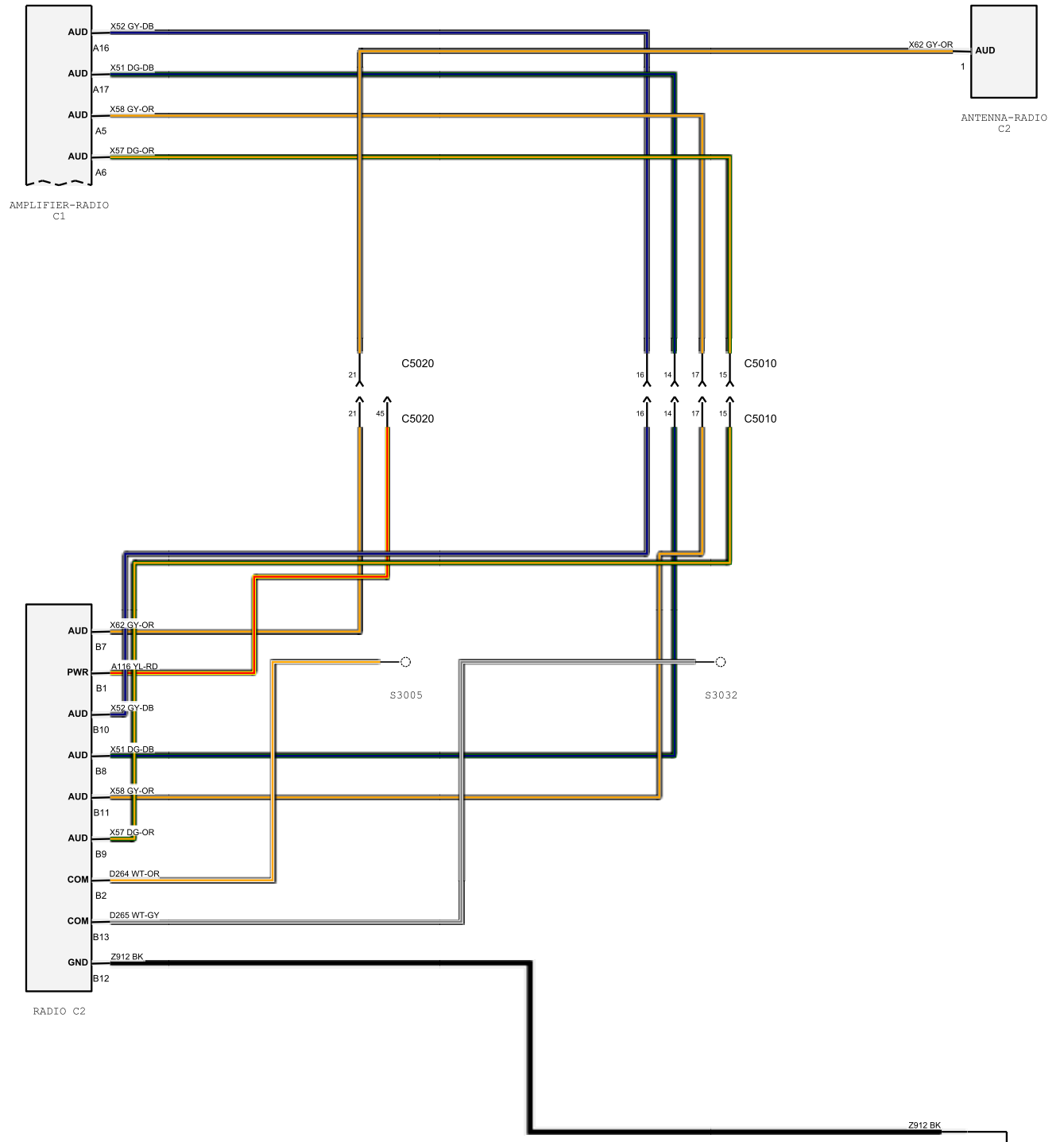


RADIO C1



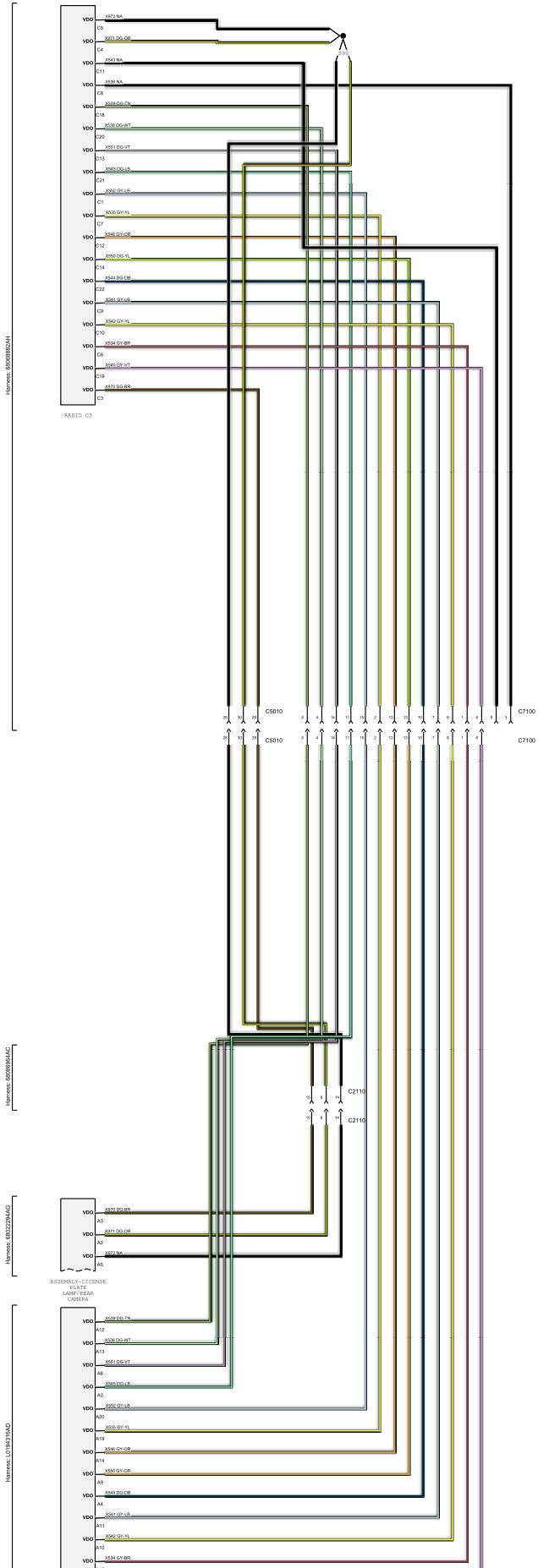
RADIO C2

Harness: 68086964AC

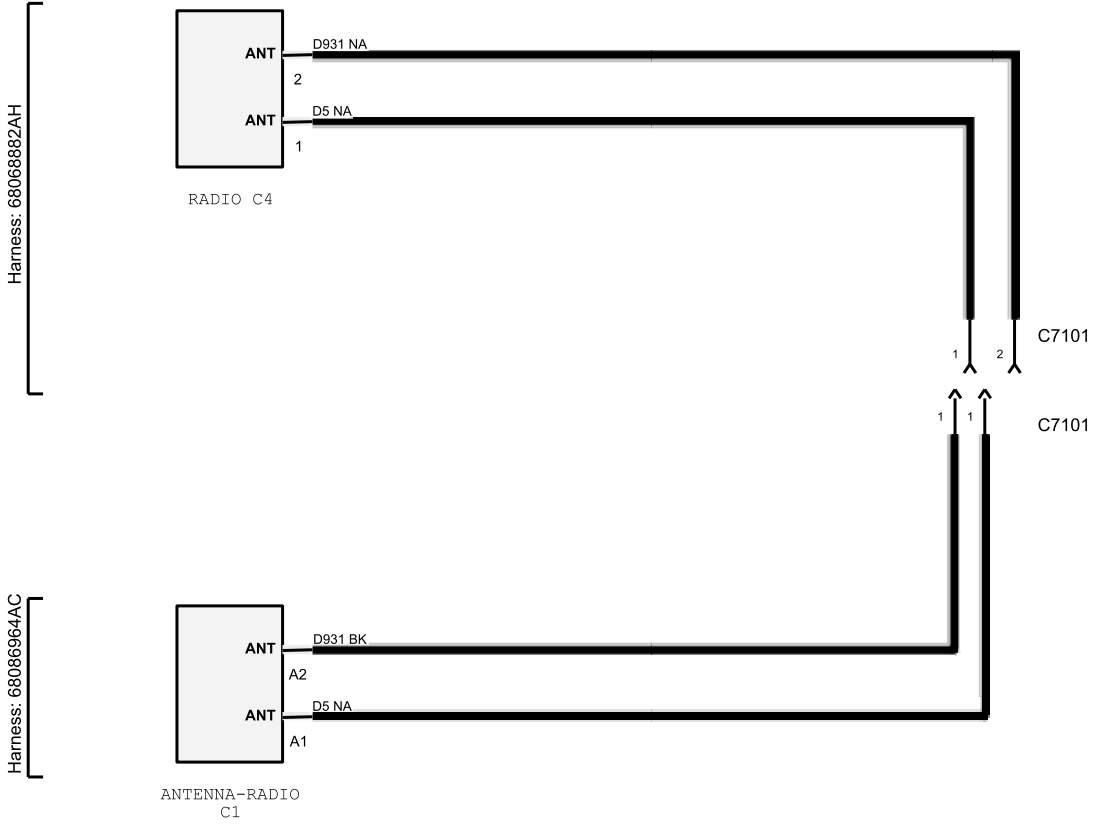


Harness: 6808682AH

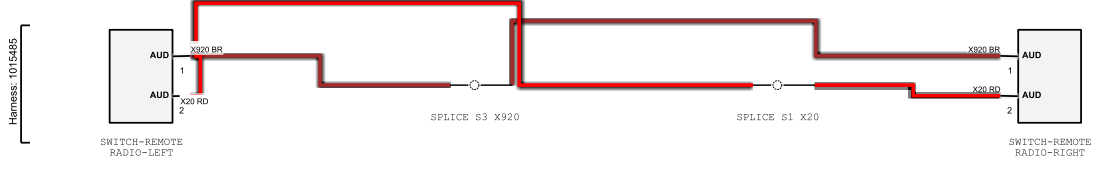
RADIO C3



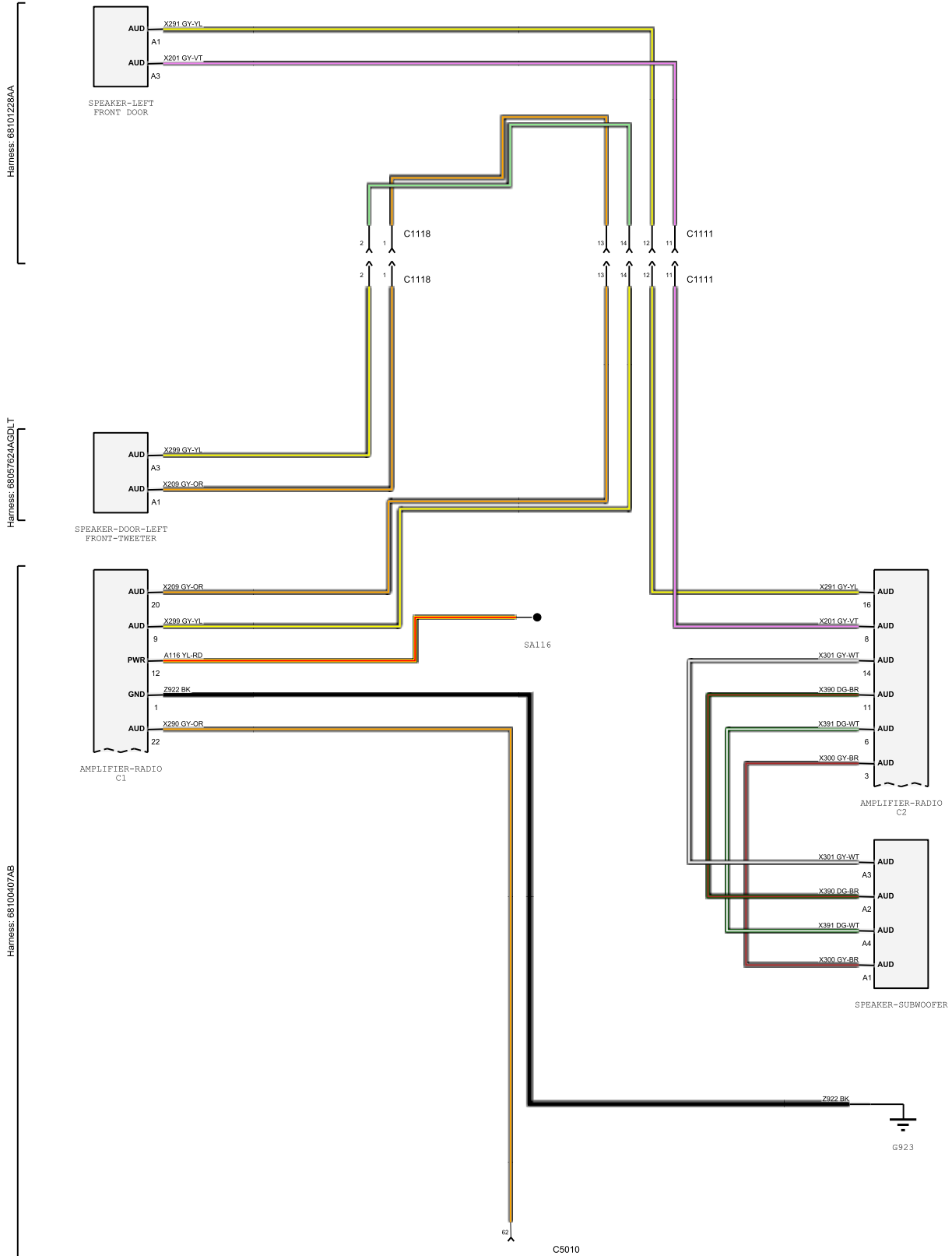
RADIO C4



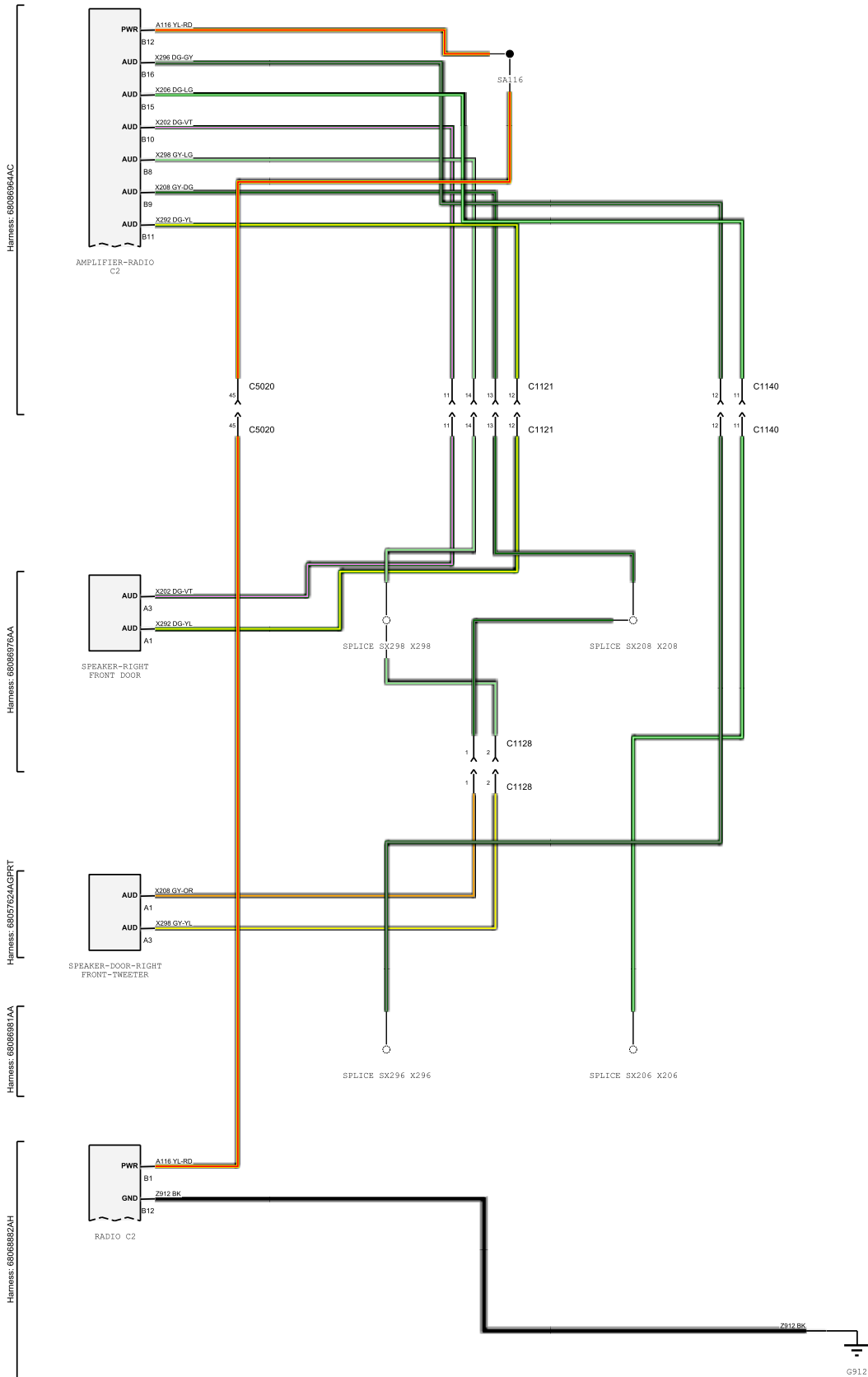
47-09 SWITCHES



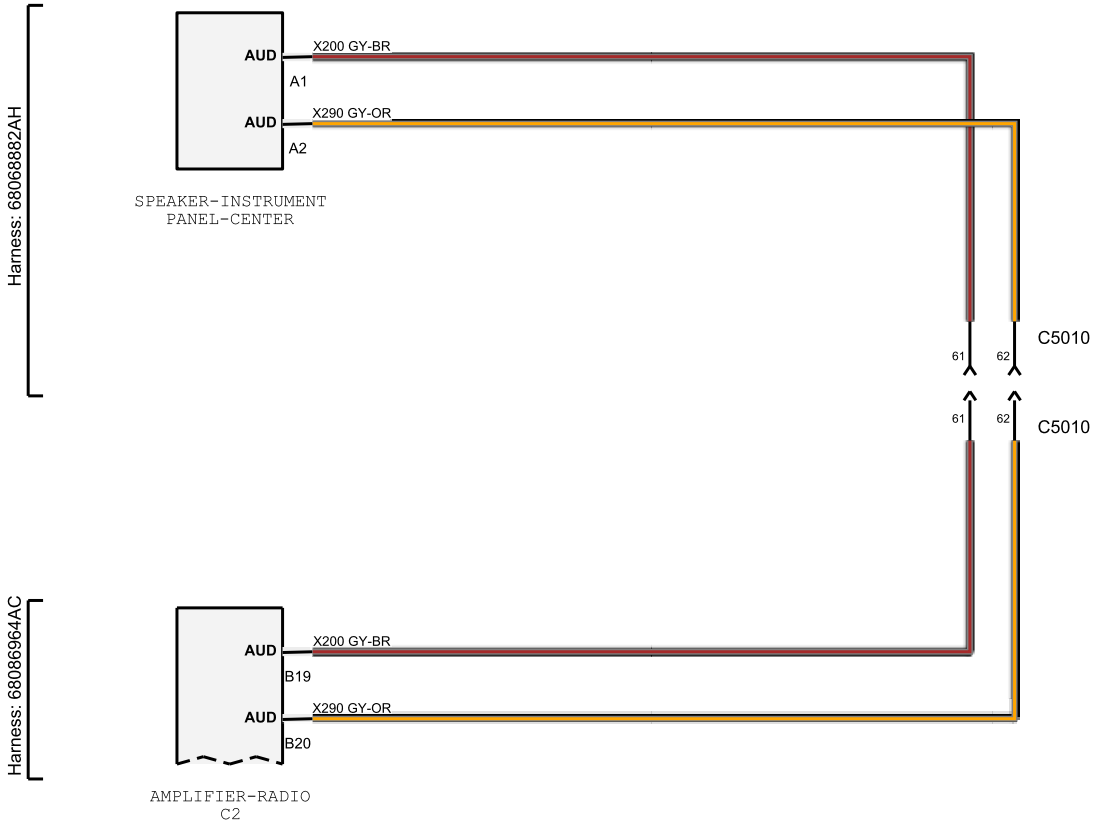
47-02 SPEAKERS-FRONT-LEFT



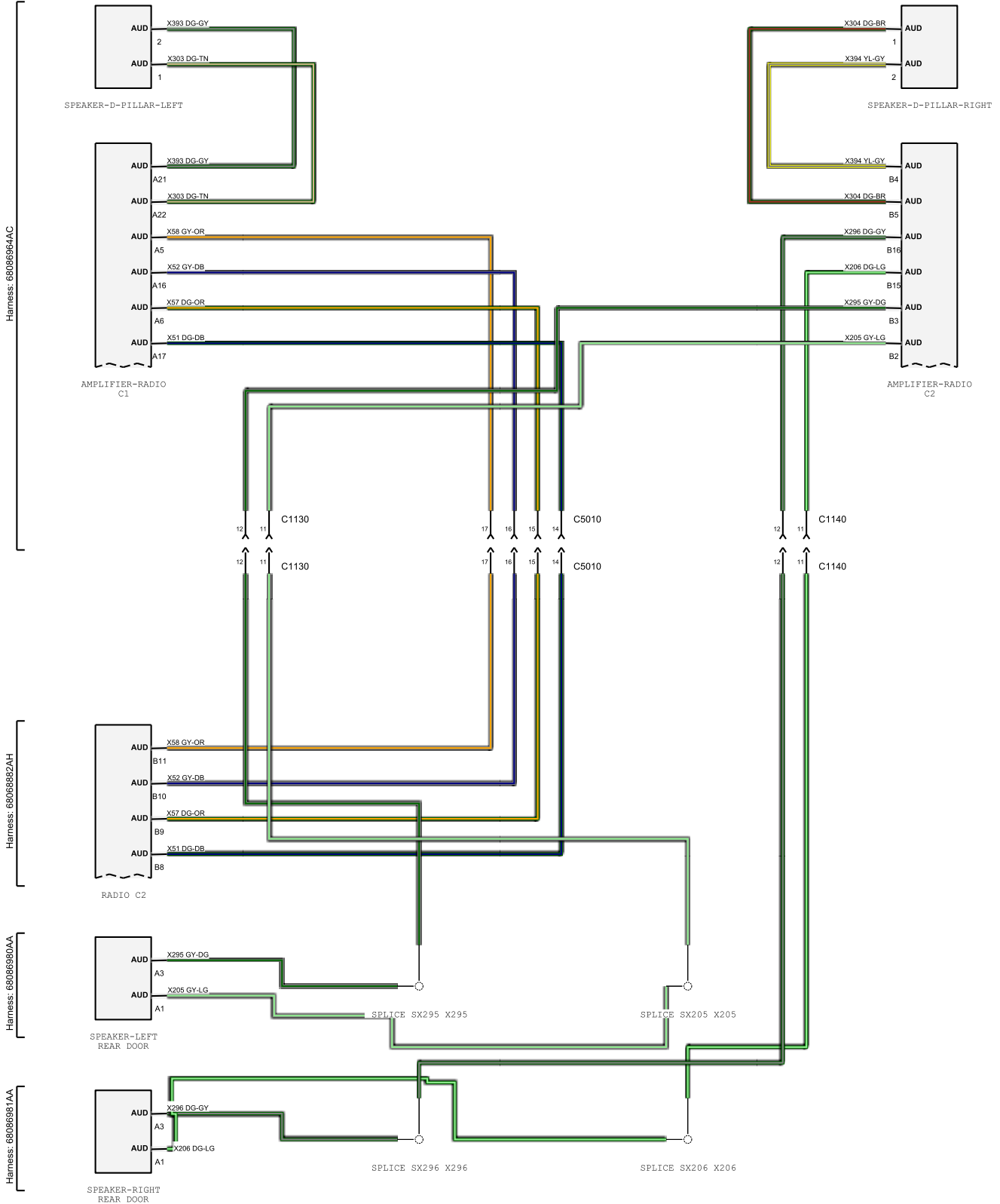
47-03 SPEAKERS-FRONT-RIGHT



47-04 SPEAKERS-CENTER



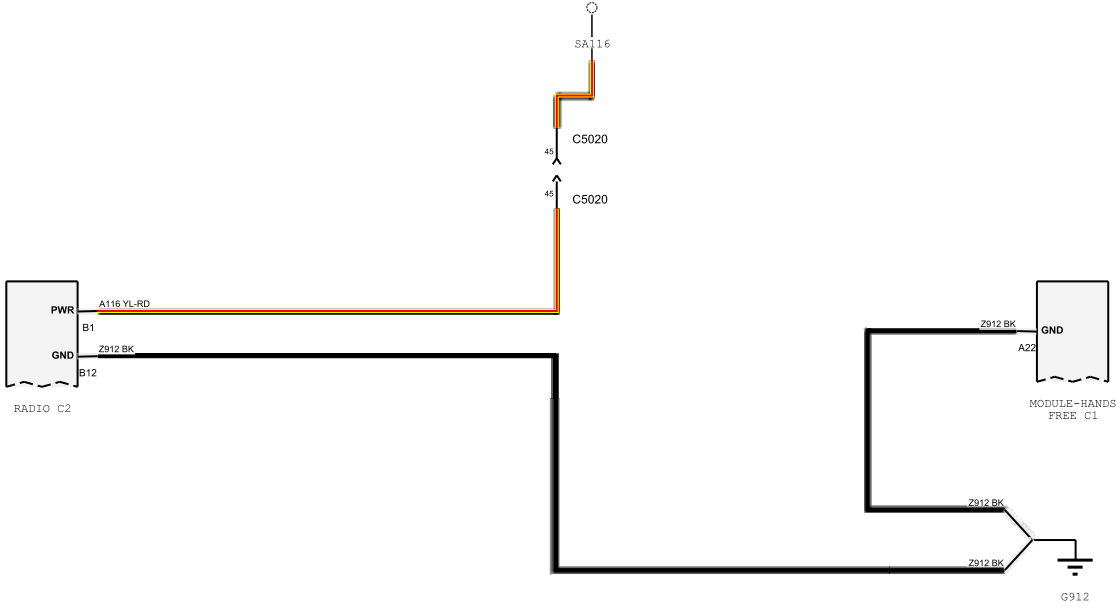
47-05 SPEAKERS-REAR



47-07 USB PORTS

Harness: 68006864AC

Harness: 68006882AH



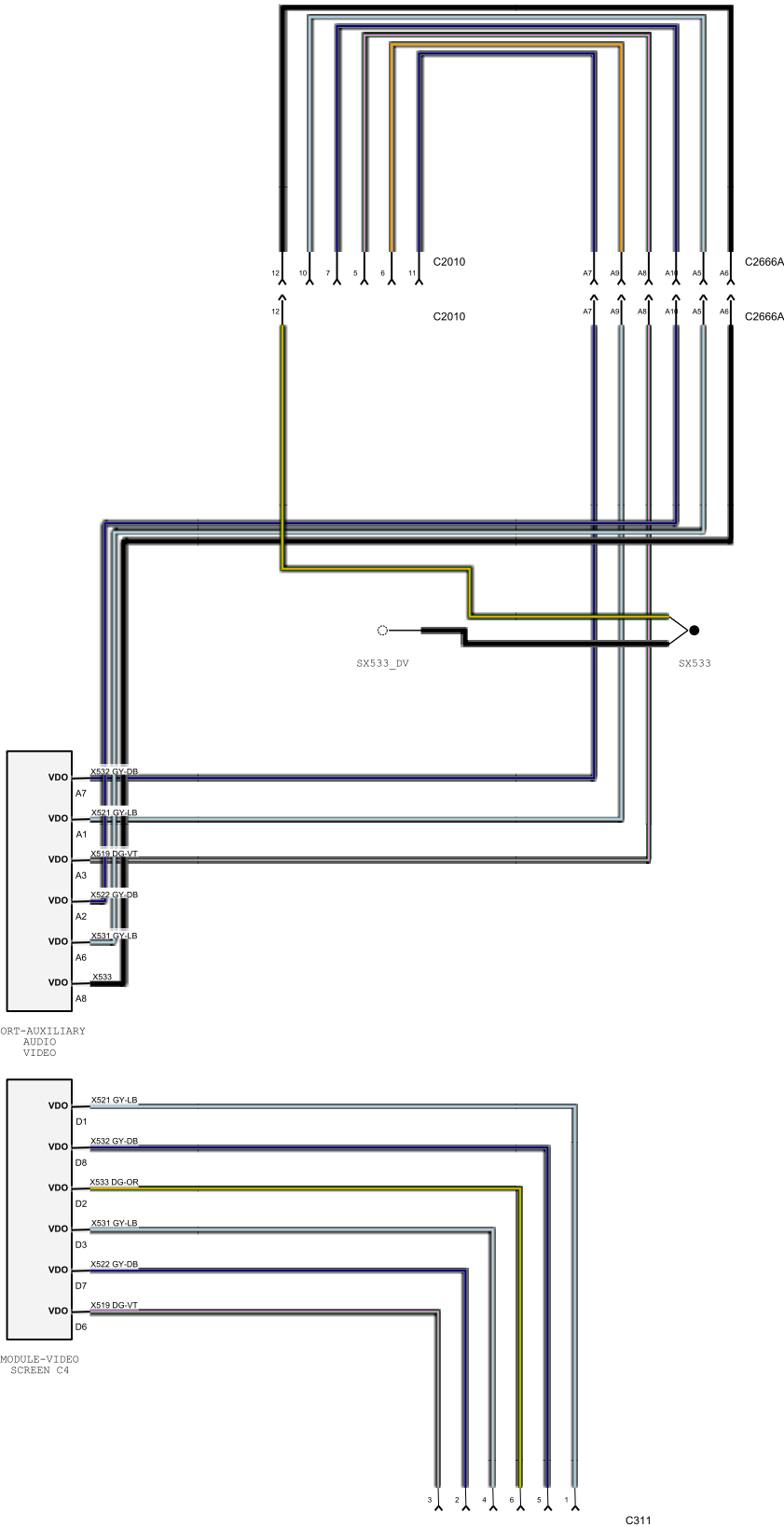
47-10 AUX PORT

Harness: 6S08964AC

Harness: L0194316AD

Harness: X44008201XX

Harness: 14Z28910_3_01



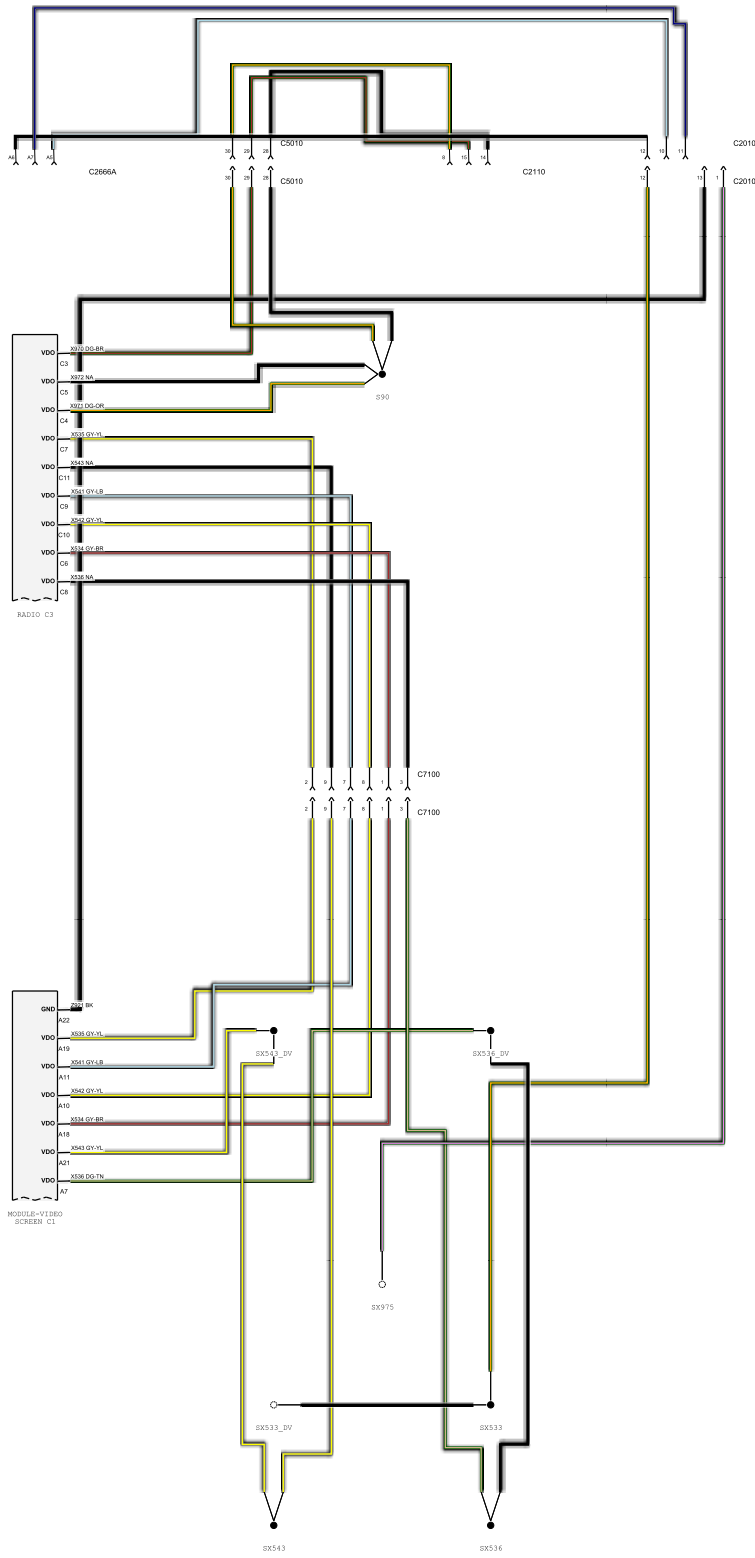
47-08 VIDEO SCREEN

Harness: 600806AC

Harness: 6008082AH

Harness: L018116AD

Harness: 142010_0_01



56-03 BACKUP CAMERA

